



QUICKIE XENON2

Quickie® XENON2

Owner's Manual

Dealer: This manual must be given to the rider of this wheelchair.

Rider: Before using this wheelchair read this entire manual and save it for future reference.

Quickie® XENON2

Manual del Propietario

Distribuidor: Este manual debe ser entregado al pasajero de esta silla de ruedas.

Pasajero: Antes de usar esta silla de ruedas, lea este manual en su totalidad y guárdelo para futura referencia.

Cada una de las sillas se envía con un manual de instrucciones en inglés. El manual en español o francés está disponible en formato PDF en nuestra página en Internet: www.SunriseMedical.com. Ingrese a la página del producto específico para descargar el manual, o comuníquese con el proveedor autorizado de Sunrise Medical.

Quickie® XENON2

Manuel du Propriétaire

Fournisseur: Ce manuel doit être remis à l'utilisateur / utilisatrice de ce fauteuil roulant.

Utilisateur/Utilisatrice: Avant d'utiliser ce fauteuil roulant, lisez entièrement ce manuel et conservez le pour le consulter ultérieurement.

Chaque fauteuil est livré avec un manuel d'instructions en anglais. Les versions en espagnol et en français sont à votre disposition en format PDF sur le site: www.SunriseMedical.com. Veuillez vous rendre à la page de votre produit pour télécharger le manuel dans la langue souhaitée, ou contactez un fournisseur agréé Sunrise Medical.



SUNRISE MEDICAL LISTENS

Thank you for choosing a Quickie wheelchair. We want to hear your questions or comments about this manual, the safety and reliability of your chair, and the service you receive from your Authorized Sunrise Dealer. Please feel free to write or call us at the address and telephone number below:

Sunrise Medical (US) LLC
 Customer Service Department
 2842 N. Business Park Ave
 Fresno, CA 93727 USA
 (800) 333-4000

Be sure to register your wheelchair and let us know if you change your address. This will allow us to keep you up to date with information about safety, new products, and options to increase your use and enjoyment of this wheelchair.

You can also register your wheelchair at:
www.sunrisemedical.com/register

FOR ANSWERS TO YOUR QUESTIONS

Your authorized dealer knows your wheelchair best, and can answer most of your questions about chair safety, use and maintenance. For future reference, fill in the following:

Dealer: _____

Address: _____

Telephone: _____

Serial #: _____ Date/Purchased: _____



www.sunrisemedical.com/register



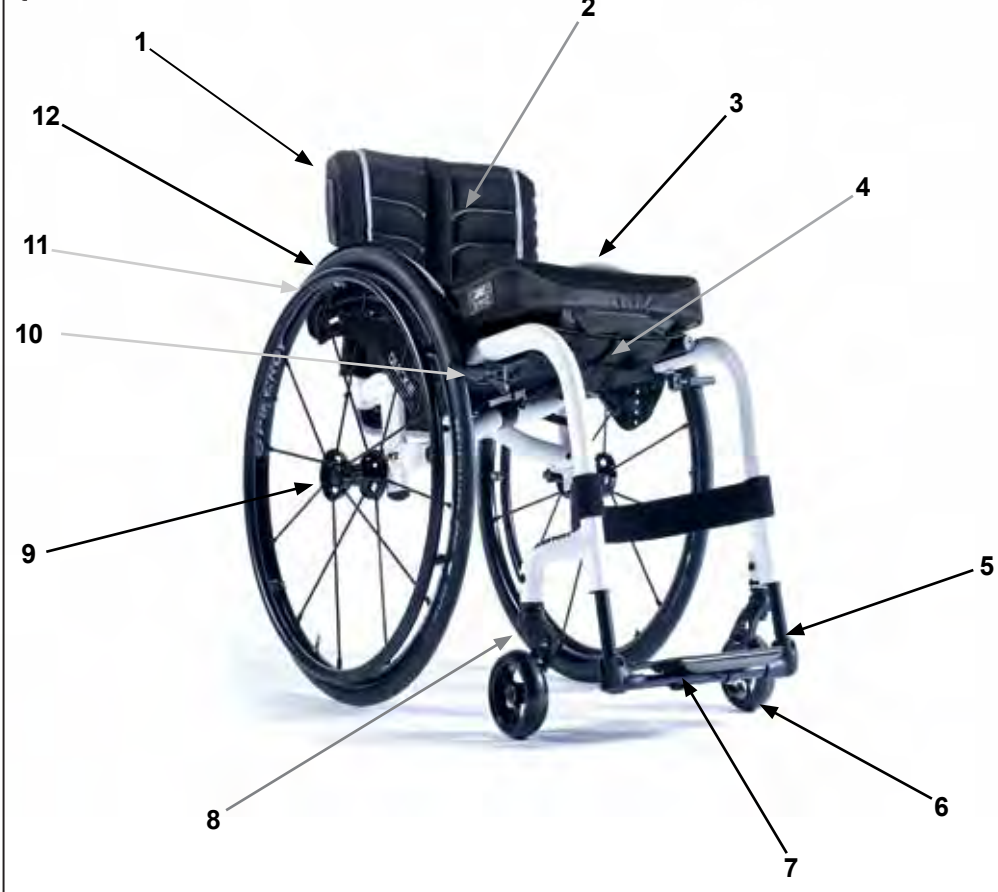
Disposal and recycling information:

When this product reaches the end of its life, please take it to an approved collection or recycling point designated by your local or state government. This wheelchair is manufactured using a variety of materials. Your product should not be disposed of as ordinary household waste. You should dispose of your wheelchair properly, according to local laws and regulations. Most materials that are used in the construction of this product are fully recyclable. The separate collection and recycling of your product at the time of disposal will help conserve natural resources and ensure that it is disposed in a manner that protects the environment.

Ensure you are the legal owner of the product prior to arranging for the product disposal in accordance with the above recommendations.

I. INTRODUCTION	2	VIII. USE AND MAINTENANCE	14
II. TABLE OF CONTENTS	3	A. Introduction	14
III. YOUR CHAIR AND ITS PARTS	4	B. Critical Maintenance Tips	14
IV. NOTICE - READ BEFORE USE	4	C. Maintenance Chart	14
A. Choose the Right Chair & Safety Options	4	D. Cleaning Tips	14
B. Review This Manual Often	4	E. Troubleshooting Chart.....	14
C. Warnings.....	4	F. To Mount and Remove Rear Wheels	15
V. GENERAL WARNINGS.....	5	G. Wheel Locks.....	15
A. Weight Limits	5	H. Anti-tips.....	15
B. Intended Use.....	5	I. Armrests.....	16
C. Attendants and Caregivers.....	5	↳ Padded Swing/Away Armrest	16
D. Accessories	5	K. : cchfYgç@fYgç / : cchdLhYg	17
E. Know Your Chair	5	L" Swing/Away Footplate	17
F. Reduce The Risk of an Accident	5	M"Backrest and Backl dC`gYfm"	17
G. Safety Checklist	5	N" Tension Adjustable Upholstery.....	18
H. Changes & Adjustments	5	O" Seating and Seat Sling Upholstery	19
I. Environmental Conditions	6	P" Side Guard	19
J. Terrain	6	Q" Folding and Unfolding	19
K. Street Use	6	R" Auto-Folding Stabilizer Bar.....	20
L. Motor Vehicle Safety	6	S" Push Handles	20
M. When You Need Help	6	T" Storage Tips	20
N. Choking Hazard	6	U" Inspect	20
O. Pinch Point	6	IX. DEALER SERVICE AND ADJUSTMENT	21
VI. SAFETY WARNINGS: FALLS & TIP-OVERS.....	7	A. Dealer Service Introduction.....	21
A. Center of Balance	7	B. Critical Maintenance tips	21
B. Dressing or Changing Clothes	7	C. Cleaning.....	21
C. Obstacles	7	D. 7 YbhYf`cZ; fU Jm"	21
D. Front Caster Lift.....	7	E. K \YY`@Wg	22
E. Reaching or Leaning.....	7	F. FYUF`K \YY`5l`YBi h5X↑ gfa Ybh.....	23
F. Moving Backward.....	7	G. Casters Adjustment.....	23
G. Escalators.....	8	H. Armrest Receiver Attachment	24
H. Ramps, Slopes & Sidehills	8	I. Swing-in/Swing-out Hangers	24
I. Transfer.....	9	J. Platform Footplates	25
J. Curbs & Single Steps.....	9	K. Lightweight Footrests	&6
K. Climbing a Curb or Single Step.....	10	L. Z-Finity Footrests.....	&6
L. Descending a Curb or Single Step.....	10	M. Backrests	&7
M. Stairs	10	N. Backrest Tension Adjustable	&7
N. Climbing Stairs	10	O. Wheel Alignment	&8
O. Descending Stairs	10	P. Adjusting Rear Seat Height	&8
VII. WARNINGS: COMPONENTS & OPTIONS	11	X. SUNRISE LIMITED WARRANTY	31
A. Anti-Tip Tubes	11		
B. Armrests	11		
C. Cushion & Sling Seats	11		
D. Fasteners	11		
E. Footrests.....	11		
F. Pneumatic Tires	12		
G. Positioning Belts Option.....	12		
H. Push Handles Option.....	12		
I. Quick-Release Axles	12		
J. Rear Wheels	13		
K. Rear Wheel Locks	13		
L. Modified Seat Systems	13		
M. Seat and Back Upholstery	13		
N. Backrest Tension Adjustable	13		

QUICKIEXENON2



1. Push Handle/Backcane
2. Backrest
3. Side Guard
4. Seat Sling
5. Extension Tube
6. Caster Wheel
7. Footboard
8. Caster Fork
9. Quick Release Axle
10. Wheel Lock
11. Handrim
12. Rear Wheel

All features may not be available with some device setups or in conjunction with other device features. Please consult your dealer for more information. Your authorized dealer can also provide you with information on accessories.

IV. NOTICE- READ BEFORE USE

A. CHOOSE THE RIGHT CHAIR & SAFETY OPTIONS

Sunrise provides a choice of many wheelchair styles to meet your needs. This product is intended for single person use only. Final selection of the type of wheelchair, options and adjustments rests solely with you and your health care professional. Choosing the best chair for your unique mobility needs, will depend on such things as:

1. Your disability, strength, balance and coordination.
2. The types of hazards you must overcome in daily use (where you live and work, and other places you are likely to use your chair).
3. The need for options that will improve your positioning, safety and comfort (such as anti-tip tubes, positioning belts, or special seating systems).

B. REVIEW THIS MANUAL OFTEN

Before using this chair you, and each person who may assist you, should read this entire manual and make sure to follow all instructions. Review the warnings often, until they are second nature to you.

C. WARNINGS 

The word "WARNING" refers to a hazard or unsafe practice that may cause severe injury or death to you or to other persons. The "Warnings" are in three main sections, as follows:

1. V — GENERAL WARNINGS

Here you will find a safety checklist and a summary of risks you need to be aware of before you ride this chair.

2. VI — SAFETY WARNINGS: FALLS & TIP-OVERS

Here you will learn about practices for the safe use of your chair, and how to avoid a fall or tip-over while you perform daily activities in your chair.

3. VII — WARNINGS — COMPONENTS & OPTIONS

Here you will learn about the components of your chair and options you can select for safety. Consult your authorized dealer and your health care advisor to help you choose the best set-up and options for safe use.

NOTE- Where they apply, you will also find "Warnings" in other sections of this manual. Heed all warnings in these sections. If you fail to do so a fall, tip-over or loss of control may occur and cause severe injury to the rider or others.

A. WEIGHT LIMITS**⚠ WARNING**

NEVER exceed the weight limit specified by Sunrise Medical. The weight capacity provided by your manufacturer is for the combined weight of a rider and items carried using on-board storage. If you do exceed the weight limit, damage to your chair, a fall, tip-over or loss of control may occur and cause severe injury to the rider or others.

Weight Capacities

Quickie XENON2 Fixed Front	- 240lbs/(110kg)
Quickie XENON2 Swing Away	- 265lbs/(120kg)
Quickie XENON2 Hybrid	- 300lbs/(136kg)

Option Specific Weight Capacities:

Z-Finity Footrest	- 165 lbs / (75 kg)
Proton Rear Wheels	- 220 lbs / (100 kg)

B. INTENDED USE

The Quickie XENON2 wheelchair's intended use is to provide mobility to persons limited to a sitting position.

⚠ WARNING

DO NOT use this device for purposes other than what is intended by the manufacturer.

1. The wheelchair is not designed for weight training and is unsafe for use as a seat while weight training. Weight training from the wheel-chair substantially changes the stability of the chair and may cause tipping.
2. DO NOT stand on the frame of the wheelchair.
3. NEVER allow someone to stand on your chair or use it as a step ladder.
4. This chair is designed for a single rider only.
5. Unauthorized modifications and use of parts or accessories not supplied or approved by Sunrise Medical may change the chair structure. This will void the warranty and may cause a safety hazard. If the warning is ignored, damage to your chair, and the potential severe injury of the person using the chair for unintended purposes can occur.

C. ATTENDANTS AND CAREGIVERS**⚠ WARNING**

Before you assist a rider, be sure to read all warnings contained in this manual, and follow all instructions that apply. Be aware that after consulting a healthcare advisor, you will need to learn safe and proven body mechanics to use and create assistive methods best suited to your abilities.

D. ACCESSORIES**⚠ WARNING**

Unauthorized modifications or use of parts, or accessories not supplied or approved by Sunrise Medical may change the chair structure. This will void the warranty and may cause a safety hazard.

Some problems that may occur, but are not limited to:

1. Incorrect Wheels and/or tires that put the rider at risk of a fall or tip-over.
2. Adding a component to the frame, changing the structural integrity of the chair.
3. Any modification or disassembly can potentially create an unsafe situation where rider and/or attendant are put at risk.

E. KNOW YOUR CHAIR**⚠ WARNING**

Every wheelchair is different. Take the time to learn the feel of this chair before you begin riding. Start slowly, with easy, smooth strokes. If you are used to a different chair, you may use too much force and tip over. If you use too much force, damage to your chair, a fall, tip-over or loss of control may occur and cause severe injury to the rider or others.

F. REDUCE THE RISK OF AN ACCIDENT**⚠ WARNING**

1. BEFORE you begin riding, you should be trained in the safe use of this chair by your health care advisor.
2. Practice bending, reaching and transfers until you know the limit of your ability. Have someone help you until you know what can cause a fall or tip-over and how to avoid doing so.
3. Be aware that you must develop your own methods for safe use best suited to your level of function and ability.
4. NEVER try a new maneuver on your own. Ask the advice of your health care provider to lower the risk of a fall or tip-over.
5. Get to know the areas where you plan to use your chair. Look for hazards and learn how to avoid them.

G. SAFETY CHECKLIST**⚠ WARNING**

Before Each Use Of Your Chair:

1. Make sure the chair rolls easily and that all parts work smoothly. Check for noise, vibration, or a change in ease of use. (This may indicate low tire pressure, loose fasteners, or damage to your chair).
2. Immediately repair any problem. Your authorized dealer can help you find and correct the problem.
3. Check to see that both quick-release rear axles are locked. When locked, the axle button will "pop out" fully. If not locked, the wheel may come off and cause you to fall.
4. If your chair has anti-tip tubes, lock them in place.

H. CHANGES & ADJUSTMENTS**⚠ WARNING**

1. If you modify or adjust this chair, it may increase the risk of a tip-over UNLESS you make other adjustments as well.
2. Consult your authorized dealer BEFORE you modify or adjust your chair.
3. We recommend that you use anti-tip tubes until you adapt to the change, and are sure you are not at risk to tip over.
4. Unauthorized modifications by the end-user, dealer or any other individual, including the use of parts not supplied or approved by Sunrise may change the chair structure. This will void the warranty and may cause a safety hazard.

If you fail to heed these warnings damage to your chair, a fall, tip-over or loss of control may occur and cause severe injury to the rider or others.

I. ENVIRONMENTAL CONDITIONS

WARNING



1. Use extra care if you must ride your chair on a wet or slick surface. If you are in doubt, ask for help.
2. Contact with water or excess moisture may cause your chair to rust or corrode. Avoid all extreme weather situations if possible.
 - a. Do not use your chair in a shower, pool or other body of water. The chair tubing and parts are not water-tight and may rust or corrode from the inside.
 - b. Avoid excess moisture (for example, do not leave your chair in a damp bathroom while taking a shower).
 - c. Dry your chair as soon as you can if it gets wet, or if you use water to clean it.
 - d. Avoid contact with salt or salty conditions as this may cause damage to the chair.

If you fail to heed these warnings damage to your chair, a fall, tip-over or loss of control may occur and cause severe injury to the rider or others.

J. TERRAIN

WARNING

1. Based on ANSI/RESNA testing, Sunrise Medical recommends the use of a caster wheel with a minimum diameter of 5" (127mm), if the wheelchair will be overcoming obstacles up to 1/2" (12.7mm) on a regular basis.
2. Your chair is designed for use on firm, even surfaces such as concrete, asphalt, indoor flooring, and carpets.
3. Do not operate your chair in sand, loose soil, or over rocky terrain.
4. If you use your chair on terrain that is rougher than described above there is a danger that screws and bolts will loosen prematurely, and that damage to wheels or axles could put the rider at risk of a fall, tip-over, or loss of control.

If you fail to heed these warnings damage to your chair, a fall, tip-over or loss of control may occur and cause severe injury to the rider or others.

K. STREET USE

WARNING

1. This product is not intended for street use.
2. Avoid streets whenever possible.
3. Obey and follow all legal pedestrian pathways, and laws that apply to pedestrians.
4. Be alert to the danger of motor vehicles in parking lots, or if you must cross a road.

If you fail to heed this warning, damage to your chair, and a possible collision may occur and cause severe injury to the rider or others.

L. MOTORVEHICLE SAFETY

If possible and feasible, the rider should transfer to the Original Equipment Manufacturer vehicle seat and use the OEM vehicle restraint.

WARNING

Your chair is **NOT** equipped with the Transit Option:

1. NEVER let anyone sit in this chair while in a moving vehicle.
 - a. ALWAYS move the rider to an approved vehicle seat.
 - b. ALWAYS secure the rider with proper motor vehicle restraints.
2. In an accident or sudden stop the rider may be thrown from the chair. Wheelchair seat belts will not prevent this, and further injury may result from the belts or straps.

3. NEVER transport this chair in the front seat of a vehicle. It may shift and interfere with the driver.
4. ALWAYS secure this chair so that it cannot roll or shift.
5. DO NOT use any wheelchair that has been involved in a motor vehicle accident. A sudden stop and/or collision may structurally damage your wheelchair. There may have been a change to the structure of the chair, and/or damaged or broken some of the components. Wheelchairs involved in sudden stops should be inspected for possible failures in frame and/or components. Frame damage may be represented by but not limited to: visual cracks, dents, metal distortion, bends, or damage to the seating mounting. If the chair no longer drives straight, it could be damaged. If the wheelchair has been involved in an accident, discontinue use immediately and contact your Authorized Dealer for a thorough inspection. If damage is questionable or if there is concern regarding the condition of the chair, Sunrise Medical recommends replacement of the chair.

NOTE- The warranty is void on any wheelchair that is involved in a collision.

Failure to heed these warnings puts you and others that may assist you at a high risk of injury.

M. WHEN YOU NEED HELP

WARNING

For The Rider: Make sure that each person who helps you reads and follows all warnings and instructions that apply.

For Attendants:

1. Work with the rider's doctor, nurse or therapist to learn safe methods best suited to your abilities and those of the rider.
2. Tell the rider what you plan to do, and explain what you expect the rider to do. This will put the rider at ease and reduce the risk of an accident.
3. If your chair is equipped with push handles, check to make sure push handle grips will not rotate or slip off.
4. To prevent injury to your back, use good posture and proper body mechanics. When you lift or support the rider or tilt the chair, bend your knees slightly and keep your back as upright and straight as you can.
5. Remind the rider to lean back when you tilt the chair backward.
6. When you descend a curb or single step, slowly lower the chair in one easy movement. Do not let the chair drop the last few inches to the ground. This may damage the chair or injure the rider.
7. To avoid tripping, unlock and rotate anti-tip tubes up, out of the way.
8. Whenever you aren't attending the wheelchair, ALWAYS use the wheel-lock to secure the rear wheels, and lock the anti-tip tubes in place.

If you fail to ask for help when in doubt, you run a high risk of a fall, tip-over or loss of control that may occur and cause severe injury to the rider or others.

N. CHOKING HAZARD

WARNING

NOTE- Your chair consists of many small parts that could present a choking hazard to young children. Take care to put parts out of reach when doing any work on the chair.

O. PINCH POINT

WARNING

NOTE- Your wheelchair has many moving parts that can create pinch points and possible finger traps. Be aware when making any adjustments, when folding and unfolding, when moving, and any other situation that could cause a pinch point situation.

A. CENTER OF BALANCE**⚠ WARNING**

The point where this chair will tip forward, back or to the side depends on its center of balance and stability. How your chair is set up, the options you select and the changes you make may affect the risk of a fall or tip-over.

1. **The Most Important Adjustment Is:**
The position of the rear wheels. The more you move the rear wheels forward, the more likely your chair will tip over backward.
2. **The Center Of Balance Is Also Affected By:**
 - a. A change in the set-up of your chair, including:
 - The distance between the rear wheels.
 - The amount of rear wheel camber.
 - The seat height and seat angle.
 - Backrest angle.
 - b. A change in your body position, posture or weight distribution.
 - c. Riding your chair on a ramp or slope.
 - d. A backpack or other options and the amount of added weight.
3. **To Reduce The Risk Of An Accident:**
 - a. Consult your doctor, nurse or therapist to find out what axle and caster position is best for you.
 - b. Consult your authorized dealer **BEFORE** you modify or adjust this chair. Be aware that you may need to make other changes to correct the center of balance.
 - c. Have someone help you until you know the balance points of your chair and how to avoid a tip-over.
 - d. Use anti-tip tubes.

If you fail to heed these warnings, you are at a high risk of a fall, tip-over or loss of control that could cause severe injury to the rider or others.

B. DRESSING OR CHANGING CLOTHES**⚠ WARNING**

Your weight may shift if you dress or change clothes while seated in this chair.

- To reduce the risk of a fall or tip-over:
1. Rotate the front casters until they are as far forward as possible. This makes the chair more stable.
 2. Lock anti-tip tubes in place. (If your chair does not have anti-tip tubes, back it up against a wall and lock both rear wheels).

If you fail to heed this warning, damage to your chair, a fall, tip-over or loss of control may occur and cause severe injury to the rider or others.

C. OBSTACLES**⚠ WARNING**

Riding over curbs or obstacles can cause tipping and serious bodily harm. If you have any doubt that you can safely cross any curb or obstacle, **ALWAYS ASK FOR HELP.** Be aware of your riding skills and personal limitations. Develop new skills only with the help of a companion.

- To avoid the risk of traversing obstacles:
1. Keep a lookout for danger – scan the area well ahead of your chair as you ride.
 2. Make sure the floor areas where you live and work are level and free of obstructions.
 3. Remove or cover threshold strips between rooms.
 4. Install a ramp at entry or exit doors. Make sure there is not a drop off at the bottom of the ramp.
 5. **To Help Correct Your Center Of Balance:**
 - a. Lean your upper body **FORWARD** slightly as you go **UP** over an obstacle.
 - b. Press your upper body **BACKWARD** as you go **DOWN** from a higher to a lower level.
 6. If your chair has anti-tip tubes, do not go over an obstacle without help.

7. Keep both of your hands on the handrims as you go over an obstacle.
8. Never push or pull on an object (such as furniture or a doorjamb) to propel your chair.

If you fail to heed these warnings damage to your chair, a fall, tip-over or loss of control may occur and cause severe injury to the rider or others.

D. FRONT CASTER LIFT**⚠ WARNING**

Front caster lift can occur when the front wheels, ordinarily in contact with the ground, are either intentionally, or unintentionally caused to lift from the ground while the rear wheels remain in contact. Pitch control (partial or full) should **NEVER** be attempted without consulting your healthcare advisor and making sure that anti-tips are installed.

If you fail to heed this warning, you are at a high risk of damage to your chair, a fall, tip-over or loss of control that may occur and cause severe injury to the rider or others.

E. REACHING OR LEANING**⚠ WARNING**

If you reach or lean it will affect the center of balance of your chair. This may cause you to fall or tip over. When in doubt, ask for help or use a device to extend your reach.

1. **NEVER** reach or lean if you must shift your weight sideways or rise up off the seat.
2. **NEVER** reach or lean if you must move forward in your seat to do so. Always keep your buttocks in contact with the backrest.
3. **NEVER** reach with both hands (you may not be able to catch yourself to prevent a fall if the chair tips).
4. **NEVER** reach or lean to the rear unless your chair has anti-tip tubes locked in place.
5. **DO NOT** reach or lean over the top of the seat back. This may damage one or both backrest tubes and cause you to fall.
6. **If You Must Reach Or Lean:**
 - a. Do not lock the rear wheels. This creates a tip point and makes a fall or tip-over more likely.
 - b. Do not put pressure on the footrests.
 - c. Move your chair as close as you can to the object you wish to reach.
 - d. Do not try to pick up an object from the floor by reaching down between your knees. You are less likely to tip if you reach to the side of your chair.
 - e. Rotate the front casters until they are as far forward as possible. This makes the chair more stable.
 - f. Firmly grasp a rear wheel or an armrest with one hand. This will help to prevent a fall if the chair tips.

If you fail to heed these warnings damage to your chair, a fall, tip-over or loss of control may occur and cause severe injury to the rider or others.

F. MOVING BACKWARD**⚠ WARNING**

Use extra care when you move your chair backward. Your chair is most stable when you propel yourself forward. You may lose control or tip over if one of the rear wheels hits an object and stops rolling.

1. Propel your chair slowly and smoothly.
2. If your chair has anti-tip tubes, make sure to lock them in place.
3. Stop often and check to be sure your path is clear.

If you fail to heed this warning, you are at a high risk of damage to your chair, a fall, tip-over or loss of control that may occur and cause severe injury to the rider or others.

G. ESCALATORS

⚠ WARNING

NEVER use this chair on an escalator, even with an attendant. If you do, a fall or tip-over is likely.

If you fail to heed this warning you and others that may be assisting you, are at a high risk of severe injury.

H. RAMPS, SLOPES & SIDEHILLS 1 2 3 4

⚠ WARNING

Whenever possible, avoid riding on a slope, which includes a ramp or sidehill. This will change the center of balance of your chair. Your chair is less stable and more difficult to maneuver when it is at an angle. When moving up a hill, anti-tip tubes may not prevent a fall or tip-over.

Whenever possible, avoid riding on a slope, which includes a ramp or sidehill. This will change the center of balance of your chair. Your chair is less stable and more difficult to maneuver. when it is at an angle. When moving up a hill, anti-tip tubes may not prevent a fall or tip-over.

1. **DONOT** use your chair on a slope steeper than 6°.
2. **ALWAYS** go as straight up and as straight down as you can. (Do not “cut the corner” on a slope or ramp.)
3. **DONOT** turn or change direction on a slope.
4. When you have to use a ramp, always stay in the **CENTER** of the ramp. Make sure ramp is wide enough that you have no risk of going off the edge.
5. **DO NOT** stop on a steep slope. If you stop, you may lose control of your chair.
6. **NEVER** use rear wheel locks to try to slow or stop your chair. This is likely to cause your chair to veer out of control.
7. **ALWAYS** be aware of:
 - a. Wet or slippery surfaces.
 - b. A change in grade on a slope (or a lip, bump or depression). These may cause a fall or tip-over.
 - c. A drop-off at the bottom of a slope or ramp. A drop-off as small as 3/4 inch (19mm) can stop a front caster and cause the chair to tip forward.
8. To Reduce The Risk Of A Fall Or Tip-Over:
 - a. Lean or press your body **UPHILL**. This will help adjust for the change in the center of balance caused by the slope or sidehill.
 - b. Keep pressure on the handrimms to control your speed on a down slope. If you go too fast you may lose control.
 - c. **ASK FOR HELP** any time you are in doubt.
9. Ramps At Home & Work- For your safety, ramps at home and work must meet all legal requirements for your area:
 - a. **AVOID A DROP-OFF**
Make sure there is a section at the top or bottom to smooth out the transition.
 - b. **ALWAYS** stay in the center of the ramp and control your speed.

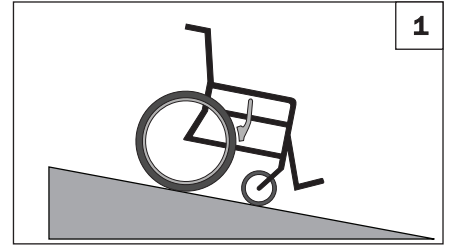
If you fail to heed these warnings damage to your chair, a fall, tip-over or loss of control may occur and can possibly cause severe injury to the rider or others.

For Attendants:

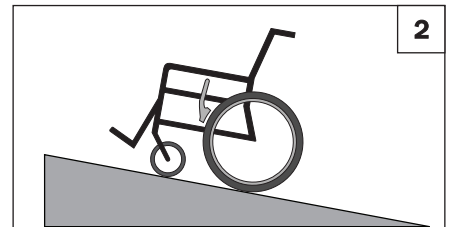
Follow these steps to help the rider go up or down a ramp:

1. Stay behind the chair.
2. Firmly grasp the push handles, or if there are no push handles, firmly grasp a fixed, non-removable part of the frame.
3. For going up or down a ramp, the chair should always be facing forward.

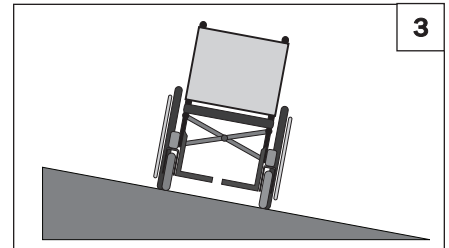
If you fail to heed these warnings damage to your chair, a fall, tip-over or loss of control may occur and cause severe injury to the rider or others



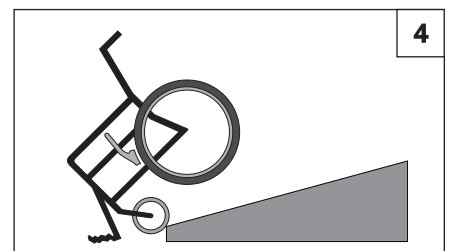
- IF you need to go down a hill:**
- a. The Downslope should be less than 6°
 - b. **GO SLOW** Control your speed
 - c. **ALWAYS** Go Straight down
 - d. **NEVER** turn on a hill
 - e. **ALWAYS** lean backward



- IF you need to go up a hill:**
- a. The Upslope should be less than 6°
 - b. **ALWAYS** Go Straight up
 - c. **DON'T STOP**
 - d. **NEVER** turn on a hill
 - e. **ALWAYS** lean forward



- IF you need to traverse a Sidehill:**
- a. The side hill must be Less than 6° or you are at risk of a tip over
 - b. **DON'T STOP**
 - c. **NEVER** turn on a hill



- If you need to traverse a Ramp:**
- a. **Go Slowly.**
 - b. **Watch out for Drop-offs.**
 - c. **ALWAYS** go straight up or straight down.
 - d. **Stay centered on the Ramp.**

I. TRANSFERS 5 6

⚠ WARNING

It is dangerous to transfer on your own. It requires good balance and agility. Be aware that there is a point during every transfer when the wheelchair seat is not below you. To avoid a fall:

1. Work with your health care advisor to learn safe methods for transfers.
 - a. Learn how to position your body and how to support yourself during a transfer.
 - b. Have someone help you until you learn safe transfer methods.
2. Lock the rear wheels before you transfer.
3. Be aware that the chair can still slide and/or tip. The wheel lock keeps the rear wheels from rolling while you are performing the transfer.
4. Make sure that the pneumatic tires are properly inflated. Low tire pressure may allow the rear wheel locks to slip. (see table in Section F "Pneumatic Tires").
5. Move your chair as close as you can to the seat you are transferring to. If possible, use a transfer board.
6. Rotate the front casters until they are as far forward as possible.
7. If you can, remove the footrests, or swing them out of the way.
 - a. Make sure your feet do not catch in the space between the footrests.
 - b. Avoid putting weight on the footrests as this may cause the chair to tip.
8. Make sure armrests are removed, or out of the way and do not interfere with the transfer.
9. Transfer as far back onto the seat surface as you can. This will reduce the risk that the chair will tip or move away from you.

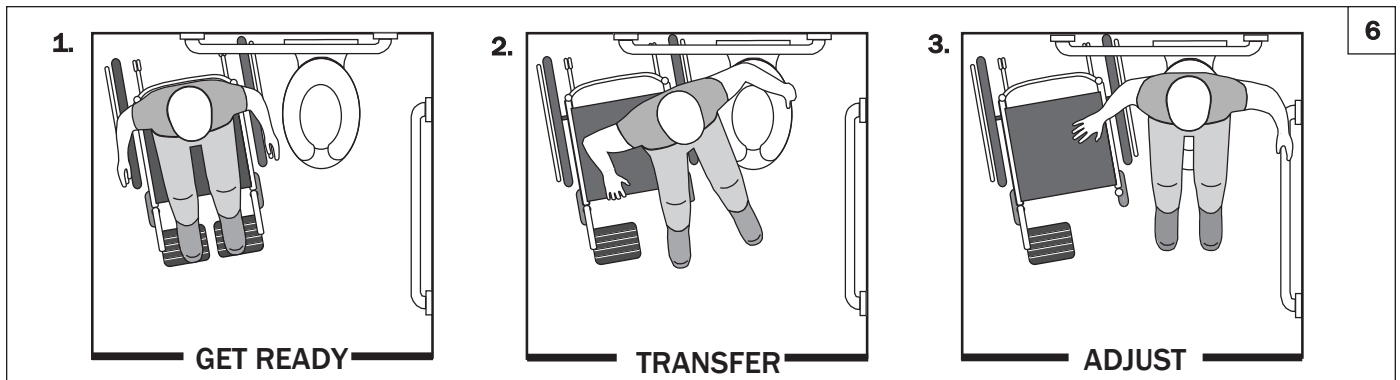
Optimum Transfer position



5

Before transferring:

1. Flip-back or remove the armrests.
2. Swing-away or remove the footrests.
3. Make sure the wheel lock is set.



6

J. CURBS & SINGLE STEPS 7

⚠ WARNING

Before riding over curbs, and negotiating even a single step, ALWAYS ask for assistance first. Curbs and steps can cause tipping and serious bodily harm. When in doubt as to your ability to avoid, or traverse any obstacle, always ask for help. Be aware of your riding skills and personal limitations. Develop new skills only with the help of a companion.

For Attendant: Each person who assists the rider with curbs and steps should read and follow all instructions and warnings pertaining to attendants, and caregivers.

1. Do not try to climb a high curb or step (more than 4 inches (101mm) high) UNLESS you have help. Doing so may cause your chair to exceed its balance point and tip over.
2. Go straight up and straight down a curb or step. If you climb or descend at an angle, a fall or tip-over is likely.
3. Be aware that the impact of dropping down from a curb or step can damage your chair or loosen fasteners.

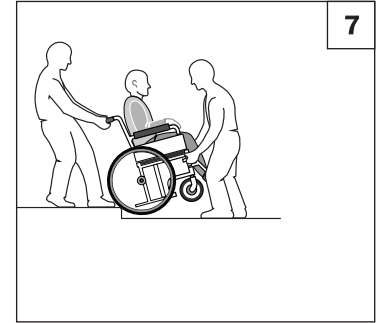
If you fail to heed these warnings damage to your chair, a fall, tip-over or loss of control may occur and can possibly cause severe injury to the rider or others.

K. CLIMBING A CURB OR SINGLE STEP 7**⚠ WARNING**

For Attendant: follow these steps to help the rider climb a curb or single step going **BACKWARD**:

1. Stay behind the chair.
2. Continue backward until the rear wheels contact the face of the curb or step. Lift and roll the rear wheels to the top of the curb.
3. Pull the chair backwards until the caster wheels have cleared the edge of the curb and return the chair to its rolling position.

If you fail to heed these warnings damage to your chair, a fall, tip-over or loss of control may occur and cause severe injury to the rider or others.

**L. DESCENDING A CURB OR SINGLE STEP** 7**⚠ WARNING**

For Attendant:: Follow these steps to help a rider descend a curb or single step going **FORWARD**:

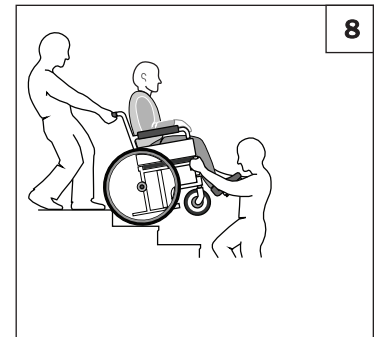
1. Stay at the rear of the chair.
2. Several feet before you reach the edge of the curb or step, tip the chair slightly and pull it backward.
3. When the chair is at its balance point, carefully step forwards until the rear wheels reach the edge of the curb or step. Then allow the rear wheels to slowly roll down onto the lower level.
4. Push the chair forward until you are standing on the lower level.
5. When the rear wheels are safely on the lower level, tilt the chair back to its balance point.

If you fail to heed these warnings damage to your chair, a fall, tip-over or loss of control may occur and cause severe injury to the rider or others.

M. STAIRS 8**⚠ WARNING**

1. NEVER use this chair on stairs UNLESS you have someone to help you. Doing so is likely to cause a fall or tip-over.
2. Negotiating stairs with a wheelchair always requires at least 2 attendants for safety.

If you fail to heed these warnings damage to your chair, a fall, tip-over or loss of control may occur and cause severe injury to the rider or others.

**N. CLIMBING STAIRS** 8**⚠ WARNING**

1. Use at least two attendants to move a chair and rider up stairs.
2. Move the chair and rider **BACKWARD** up the stairs.
3. The person at the rear is in control. He or she tilts the chair back to its balance point.
4. A second attendant at the front firmly grasps a non-detachable part of the front frame and lifts the chair up and over one stair at a time.
5. The attendants move to the next stair up. Repeat for each stair, until you reach the landing.

If you fail to heed these warnings damage to your chair, a fall, tip-over or loss of control may occur and cause severe injury to the rider or others.

O. DESCENDING STAIRS 8**⚠ WARNING**

1. Use at least two attendants to move a chair and rider down stairs.
2. Move the chair and rider **FORWARD** down the stairs.
3. The person at the rear is in control. He or she tilts the chair to the balance point of the rear wheels and rolls it to the edge of the top step.
4. A second attendant stands on the third step from the top and grasps the chair frame. He or she lowers the chair one step at a time by letting the rear wheels roll over the stair edge.
5. The attendants move to the next stair down. Repeat for each stair, until you reach the landing.

If you fail to heed these warnings damage to your chair, a fall, tip-over or loss of control may occur and cause severe injury to the rider or others.

A. ANTI-TIP TUBES**WARNING**

Anti-tip tubes can help keep your chair from tipping over backward in normal conditions.

1. Sunrise recommends the use of anti-tip tubes:
2. When locked in place (in the "down" position) anti-tip tubes should be **BETWEEN 1-1/2" to 2"** (38mm to 51mm) off the ground.
 - a. If set **higher** than 2" (51mm), they may not prevent a tip-over.
 - b. If set **lower** than 1-1/2" (38mm), they may "hang up" on obstacles and cause a fall or tip over.
3. If you have to climb or descend a curb, or overcome an obstacle it may be necessary to have an attendant make sure the anti-tip tubes are rotated up, and out of the way, so that the chair and rider do not get stuck and/or become unstable.

If you fail to heed these warnings damage to your chair, a fall, tip-over or loss of control may occur and cause severe injury to the rider or others.

B. ARMRESTS**WARNING**

Armrests detach and will not bear the weight of this chair.

1. **NEVER** lift this chair by its armrests. They may come loose or break.
2. Lift this chair only by non-detachable parts of the main frame.

If you fail to heed these warnings damage to your chair, a fall, tip-over or loss of control may occur and cause severe injury to the rider or others.

C. CUSHIONS & SLING SEATS**WARNING**

1. Quickie sling seats and standard foam cushions are not designed for the relief of pressure.
2. If you suffer from pressure sores or if you are at risk that they will occur, you may need a special seat system or a device to control your posture. Consult your doctor, nurse or therapist to find out if you need such a device for your well-being.
3. Seat slings are not intended to be used as a direct seating surface. A cushion or other seating surface should be placed on the sling before use.

If you fail to heed these warnings damage to your chair, a fall, tip-over or loss of control may occur and cause severe injury to the rider or others.

D. FASTENERS**WARNING**

Many of the screws, bolts and nuts on this chair are special high-strength fasteners. Use of improper fasteners may cause your chair to fail.

1. **ONLY** use fasteners provided by an authorized dealer (or ones of the same type and strength, as indicated by the markings on the heads).
2. Over- or under-tightened fasteners may fail or cause damage to chair parts.
3. If bolts or screws become loose, tighten them as soon as you can.

NOTE- For safety and optimum performance it is best to not reuse fasteners.

If you fail to heed these warnings damage to your chair, a fall, tip-over or loss of control may occur and cause severe injury to the rider or others.

E. FOOTRESTS**WARNING**

1. At the lowest point, footrests should be **AT LEAST 2"** (51mm) off the ground. If set too **LOW**, they may "hang up" on obstacles you can expect to find in normal use. This may cause the chair to stop suddenly and tip forward.
2. To Avoid A Trip Or Fall When You Transfer:
 - a. Make sure your feet do not "hang up" or get caught in the space between the footrests.
 - b. Avoid putting weight on the footrests, as the chair may tip forward.
 - c. Footrests should be swung out of the way or removed whenever entering or exiting the wheelchair.
3. **NEVER** lift this chair by the footrests. Footrests detach and will not bear the weight of this chair. Lift this chair only by non-detachable parts of the main frame.
4. Never use the footrests of the chair to open doors, this may cause them to fail prematurely, and create an unsafe situation.

If you fail to heed these warnings damage to your chair, a fall, tip-over or loss of control may occur and cause severe injury to the rider or others.

F. PNEUMATIC TIRES



All Schwalbe tires are manufactured in a facility that processes latex. Schwalbe Marathon Plus Evolution, Schwalbe RightRun Plus, and Schwalbe SpeedRun tires contain a latex strip sealed inside tire (please maintain tire per recommendations to avoid contact).

Proper inflation extends the life of your tires and makes your chair easier to use.

1. Do not use this chair if any of the tires are under- or over-inflated. Check weekly for proper inflation level, as listed on the tire side-wall.
2. Low pressure in a rear tire may cause the wheel lock on that side to slip and allow the wheel to turn when you do not expect it.
3. Low pressure in any of the tires may cause the chair to veer to one side resulting in a loss of control.
4. Over-inflated tires may burst.

If you fail to heed these warnings damage to your chair, a fall, tip-over or loss of control may occur and cause severe injury to the rider or others.

Recommended Tire Pressures

Tires	Xenon2 Hybrid	Xenon2 Swing Away	Xenon2 Fixed Front	Recommended Pressure or Pressure Range	
				kPa	PSI
Pneumatic - 22"	x	x	x	448	65 Max
Pneumatic - 24"	x	x	x	517	75 Max
Pneumatic - 26"	x	x	x	448	65 Max
High Pressure Clincher - 22"	x	x	x	690	100 Max
High Pressure Clincher - 24"	x	x	x	758	110 Max
High Pressure Clincher - 25"	x	x	x	758	110 Max
High Pressure Clincher - 26"	x	x	x	758	110 Max
Knobby V-Track - 24"	x	x	x	448	65 Max
Schwalbe Marathon - 22"	x	x	x	586 - 1000	85 - 145
Schwalbe Marathon - 24"	x	x	x	586 - 1000	85 - 145
Schwalbe Marathon - 25"	x	x	x	586 - 1000	85 - 145
Schwalbe Marathon - 26"	x	x	x	586 - 1000	85 - 145

G. POSITIONING BELTS (OPTIONAL)



Use positioning belts **ONLY** to help support the rider's posture. Improper use of these belts may cause severe injury to or death to the rider.

1. Make sure the rider does not slide down in the wheelchair seat. If this occurs, the rider may suffer chest compression or suffocate due to pressure from the belts.
2. The belts must be snug, but must not be so tight that they interfere with breathing. You should be able to slide your open hand, flat, between the belt and the rider.
3. A pelvic wedge or a similar device can help keep the rider from sliding down in the seat. Consult with the rider's doctor, nurse or therapist to find out if the rider needs such a device.
4. Use positioning belts only with a rider who can cooperate. Make sure the rider can easily remove the belts in an emergency.
5. NEVER Use Positioning Belts:
 - a. As a patient restraint. A restraint requires a doctor's order.
 - b. On a rider who is comatose or agitated.
 - c. As a motor vehicle restraint. In an accident or sudden stop the rider may be thrown from the chair. Wheelchair seat belts will not prevent this, and further injury may result from the belts or straps.

If you fail to heed these warnings damage to your chair, a fall, tip-over or loss of control may occur and cause severe injury to the rider or others.

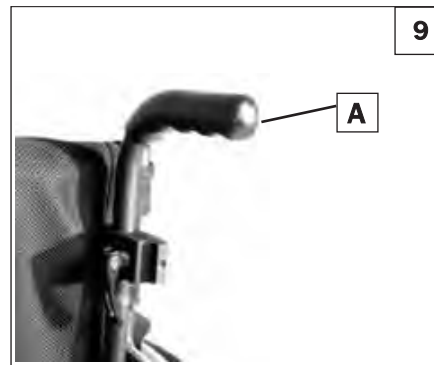
H. PUSH HANDLES (OPTIONAL) 9



When you have an attendant, make sure that this chair has push handles.

1. Push handles provide secure points for an attendant to hold the rear of this chair, to prevent a fall or tip-over.
2. Check to make sure push handle grips will not rotate or slip off.

If you fail to heed these warnings damage to your chair, a fall, tip-over or loss of control may occur and cause severe injury to the rider or others.



I. QUICK-RELEASE AXLES



1. Do not use this chair **UNLESS** you are sure that both quick-release rear axles are locked.
2. An axle is not locked until the quick-release button pops out fully.
3. An unlocked axle may come off during use, resulting in a fall, tip-over or loss of control and cause severe injury to the rider or others.
4. Quick-Release Axles should be periodically cleaned and inspected for function and signs of wear or bending. Replace as necessary.

If you fail to heed these warnings damage to your chair, a fall, tip-over or loss of control may occur and cause severe injury to the rider or others.

J. REAR WHEELS**⚠ WARNING**

A change in set-up of the rear wheels will affect the center of balance of your chair.

1. The farther you move the rear axles FORWARD, the more likely it is that your chair will tip over backward.
2. Consult your healthcare advisor to find the best rear axle set-up for your chair. Do not change the set-up UNLESS you consult your healthcare advisor first.
3. Adjust the rear wheel locks after you make any change to the rear axles.
 - a. If you fail to do so, the wheel locks may not work.
 - b. Make sure lock arms embed in the tires at least 1/8" (3mm) when locked.

If you fail to heed these warnings damage to your chair, a fall, tip-over or loss of control may occur and cause severe injury to the rider or others.

K. REAR WHEEL LOCKS**⚠ WARNING**

Rear wheel locks are NOT designed to slow or stop a moving wheelchair. Use them only to keep the rear wheels from rolling when your chair is at a complete stop.

1. NEVER use rear wheel locks to try to slow or stop your chair when it is moving. Doing so may cause a fall or tip-over
2. To keep the rear wheels from rolling, always set both rear wheel locks when you transfer to or from your chair.
3. Low pressure in a rear tire may cause the wheel lock on that side to slip and may allow the wheel to turn when you do not expect it.
4. Make sure lock arms embed in tires at least 1/8" (3mm) when locked. If you fail to do so, the locks may not work.

If you fail to heed these warnings damage to your chair, a fall, tip-over or loss of control may occur and cause severe injury to the rider or others.

L. MODIFIED SEAT SYSTEMS**⚠ WARNING**

Use of a seat system not approved by Sunrise may alter the center of balance of this chair. This may cause the chair to tip over.

1. Do not change the seat system of your chair UNLESS you consult your authorized dealer first.
2. Use of a seating system not approved by Sunrise may affect the folding mechanism of this chair.

If you fail to heed these warnings damage to your chair, a fall, tip-over or loss of control may occur and cause severe injury to the rider or others.

M. SEAT AND BACK UPHOLSTERY**⚠ WARNING**

1. Replace worn or torn fabric of seat and seat back as soon as you can. If you fail to do so, the seat or seat back may fail.
2. Sling fabric will weaken with age and use. Look for fraying, thin spots, or stretching of fabrics especially at edges and seams.
3. "Dropping down" into your chair will weaken fabric and result in the need to inspect and replace the seat more often.
4. Be aware that laundering or excess moisture will reduce the flame retardation qualities of the fabric.
5. If Tension Adjustable upholstery is present, loosen straps or remove upholstery prior to folding or unfolding the chair.

If you fail to heed these warnings damage to your chair, a fall, tip-over or loss of control may occur and cause severe injury to the rider or others.

N. BACKREST TENSION ADJUSTABLE

The Tension Adjustable Backrest is a versatile back intended to replace standard wheelchair back upholstery. It is designed to provide simple, comfortable and effective support to help maximize function and increase seating tolerance. In addition, it is lightweight, durable, and easy to use.

Sunrise Medical recommends that a clinician such as a doctor or therapist experienced in seating and positioning be consulted to determine if the Backrest Tension Adjustable is appropriate. Backs systems should only be installed by an authorized Sunrise Medical dealer.

⚠ WARNING

Installing a back support on a wheelchair may affect the center of gravity of the wheelchair and may cause the wheelchair to tip backwards potentially resulting in injury.

Always assess for the potential need for anti-tips to be added to the wheelchair to help increase the stability.

⚠ WARNING

Do not use the Backrest Tension Adjustable to push or lift the wheelchair. Improper use may cause the back to unexpectedly detach from the wheelchair.

If you fail to heed these warnings damage to your chair, a fall, tip-over or loss of control may occur and cause severe injury to the rider or others.

⚠ WARNING

The owner of this chair is responsible for making sure that it has been setup and adjusted by a trained service professional under the advice of a healthcare advisor. The chair may require periodic safety and function checks or certain tool free adjustments that can be performed by the owner, caregiver or authorized dealer if desired. Always use parts and/or accessories that have been recommended or approved by Sunrise Medical when servicing this chair.

A. INTRODUCTION

1. Proper maintenance will improve performance and extend the useful life of your chair.
2. Clean your chair regularly. This will help you find loose or worn parts and make your chair easier to use. You will need a mild detergent solution and plenty of cleaning rags.
3. If discovered, repair or replace loose, worn, bent or damaged parts before using the chair. ALWAYS be sure to use Parts and/or accessories that have been recommended or approved by Sunrise Medical.
4. To protect your investment, have all major maintenance and repair work done by your authorized dealer.
5. Inspect and maintain this chair strictly per the maintenance chart.
6. If you detect a problem, make sure to order parts, or have service, and repair work done at your authorized dealer before use.
7. At least once per year, have a complete inspection, safety check, and service of your chair made by an authorized dealer.

B. SAFETY CHECKLIST

Weekly	Monthly	3 Months	6 Months	Annually	Safety & Function Check
<input checked="" type="checkbox"/>					Tire inflation level
<input checked="" type="checkbox"/>					Wheel locks
		<input checked="" type="checkbox"/>			Visually check for loose hardware
			<input checked="" type="checkbox"/>		Armrests
			<input checked="" type="checkbox"/>		Axle and axle sleeves
		<input checked="" type="checkbox"/>			Quick-release axles
		<input checked="" type="checkbox"/>			Wheels, tires and spokes
		<input checked="" type="checkbox"/>			Casters
		<input checked="" type="checkbox"/>			Anti-tip tubes
			<input checked="" type="checkbox"/>		Frame, camber tubes, and crossbrace
	<input checked="" type="checkbox"/>				Upholstery
				<input checked="" type="checkbox"/>	Service by Authorized Dealer

NOTE - The user or caregiver should perform these weekly and monthly checks to maintain the safety of their chair. If an item is not working properly, please contact your authorized dealer.

C. CRITICAL SAFETY CHECKS

1. **Tire Air Pressure:**
Check air pressure in pneumatic tires at least ONCE PER WEEK. The wheel locks will not grip properly if you fail to maintain the air pressure shown on tire sidewall.
2. **Axles & Axle Sleeves:**
When checking axles and axle sleeves every six months, make sure they are clean and tight. Loose sleeves will damage the axle plate and will affect performance.

D. CLEANING TIPS

1. **Paint Finish**
 - a. Clean the painted surfaces with mild soap or detergent at least once a month.
 - b. Protect the paint with a coat of non-abrasive auto wax every three months.
2. **Axles and Moving Parts**
 - a. Clean around axles and moving parts WEEKLY with a slightly damp (not wet) cloth.
 - b. Wipe off or blow away any fluff, dust or dirt on axles or moving parts.
3. **Upholstery**
 - a. Hand-wash (machine washing may damage fabric).
 - b. Drip-dry only. DO NOT machine dry as heat will damage fabric.
4. **Basic Maintenance Materials available at local store**
 - a. Tire Pump
 - b. Tire pressure gauge.
 - c. Clean rags or cotton cloth.
 - d. Teflon-based Lubricant
 - e. Mild Detergent.

NOTE- You do not need to grease or oil the chair.

E. TROUBLESHOOTING CHART

Symptom	Left turn in chair	Right Turn in chair	Looseness in chair	Sluggish turning	Squeaks and rattles	Caster flutter	Solution
							<input checked="" type="checkbox"/>
<input type="checkbox"/>	<input type="checkbox"/>	<input type="checkbox"/>	<input checked="" type="checkbox"/>	<input checked="" type="checkbox"/>	<input checked="" type="checkbox"/>	<input checked="" type="checkbox"/>	Make sure all nuts and bolts are tight.
<input type="checkbox"/>	<input type="checkbox"/>	<input type="checkbox"/>	<input checked="" type="checkbox"/>	<input type="checkbox"/>	<input checked="" type="checkbox"/>	<input type="checkbox"/>	Make sure all spokes and nipples are tight on radial spoke wheels.
<input type="checkbox"/>	<input type="checkbox"/>	<input type="checkbox"/>	<input type="checkbox"/>	<input type="checkbox"/>	<input checked="" type="checkbox"/>	<input type="checkbox"/>	Use Tri-Flow Lubricant (Teflon®-based) between frame connections and parts.
<input checked="" type="checkbox"/>	<input checked="" type="checkbox"/>	<input type="checkbox"/>	<input checked="" type="checkbox"/>	<input type="checkbox"/>	<input type="checkbox"/>	<input checked="" type="checkbox"/>	Check for proper caster fork adjustment. See instructions for caster adjustment.

F. TO MOUNT & REMOVE REAR WHEELS 10 11

⚠ WARNING

Do not use this chair **UNLESS** you are sure both quick-release axles are locked. An unlocked axle may come off during use and cause a fall.

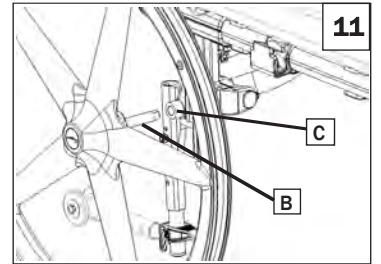
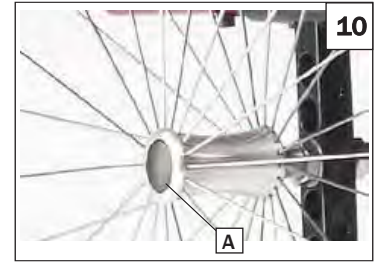
1. To Install Wheel

- a. Depress quick-release button (A) fully. This will release tension on ball bearings at other end.
- b. Insert axle (B) through hub of rear wheel.
- c. Keep button (A) depressed as you slide axle (B) into axle sleeve (C).
- d. Release button to lock axle in axle sleeve. Adjust axle if it does not lock. See Section F.
- e. Repeat steps on other side.

NOTE– The axle is not locked until the quick-release button pops out fully (A). Check that the axle is locked by pulling on the wheel in the direction of the axle.

2. To Remove Wheel

- a. Depress quick-release button (A) fully.
- b. Remove wheel by sliding axle (B) completely out of axle sleeve (C).
- c. Repeat steps on other side.



G. WHEEL LOCKS 12

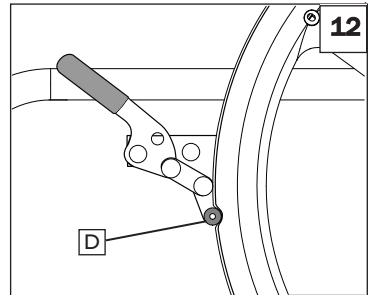
⚠ WARNING

Wheel locks are installed at Sunrise and should be adjusted by your qualified service person.

Inspect wheel locks weekly per the maintenance chart. Do not use your chair **UNLESS** you are sure both wheel-locks can fully engage. A wheel-lock that is not correctly adjusted may allow your chair to roll, or turn unexpectedly.

Wheel-locks must be adjusted after making sure the tires have the correct air pressure. When fully engaged, the arm (D) should be imbedded into the tire at least 1/8" to be effective.

If you find the wheel locks have slipped or are not working correctly contact your service provider for proper adjustment.



H. ANTI-TIPS 13 14 15 16

Sunrise Medical recommends anti-tip tubes for all wheelchairs.

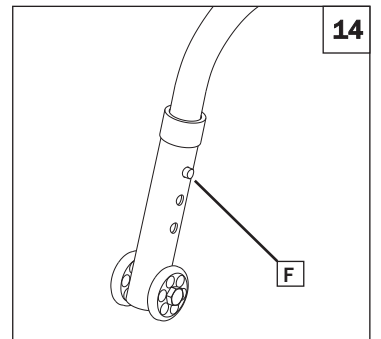
1. Inserting Anti-Tip Tubes Into Receiver

- a. Press the rear anti-tip release pin on the anti-tip tube so that both release pins are drawn inside.
- b. Insert into the anti-tip tube into the receiver.
- c. Turn the anti-tip tube down until release pin is positioned through the receiver mounting hole.
- d. Insert second anti-tip tube the same way.

2. Adjusting Anti-Tip Tube Wheel

The anti-tip tube wheels may have to be raised or lowered to achieve proper clearance 1-1/2" to 2" (38mm to 51mm).

- a. Press the anti-tip wheel release pin (F) so that the release pin is drawn inside.
- b. Raise or lower to one of the predrilled holes.
- c. Release pin.
- d. Adjust the second anti-tip tube wheel the same way. Both wheels should be at exactly the same height.



ANTI-TIPS (continued)

3. Turning Anti-Tip Tubes Up

Turn anti-tip tubes up when being pushed by attendant, overcoming obstacles, or climbing curbs.

- a. Press the rear anti-tip tube release pin.
- b. Hold pin in and turn anti-tip tube up.
- c. Release pin, and make sure the anti-tip is locked in place.
- d. Repeat these steps with second anti-tip tube.

4. Swing-Away Anti-Tip

Push down on the top of the anti-tip tube, (G), to bring them into position, Fig 16. A 1-1/2" to 2" (38mm to 51mm) gap should be maintained between the anti tip wheels and the ground. The anti-tips can also be swung into a forwards position.

⚠ WARNING

If the anti-tip tubes are not fitted, or have been fitted incorrectly, there is a risk of tipping over and of injury.

I. ARMREST 17 18

Sunrise medical offers several different types of armrests. Fixed, swing-away, and Flip-back armrests. Flip-back armrests can be detached or can flip back to allow lateral transfers. They are height adjustable (1" (25.4mm) increments) by pushing the button (1) and moving the armrest pad (2) up or down to the desired height.

1. Height Adjustment

- a. Push the button (1) to release the armrest pad (2).
- b. Slide armpad up or down to desired height.
- c. Push down to return to locked position.

2. Flipping armrest back (also applies to desk sideguard)

- a. To flip back, grasp the unlocking lever (3) and pull up on the Armrest.

3. Replacing Armrest (also applies to desk sideguard)

- a. Slide armrest back into receiver until you hear it click into place.
- b. Make sure that the unlocking lever (3) returns to the locked position.

⚠ WARNING

Armrest should not be used for lifting or carrying the wheelchair.

Always check that the armrests are correctly engaged.

There is a risk of trapping fingers when adjusting the armrests.

J. PADDED SWING-AWAY ARMRESTS 19

1. Installation

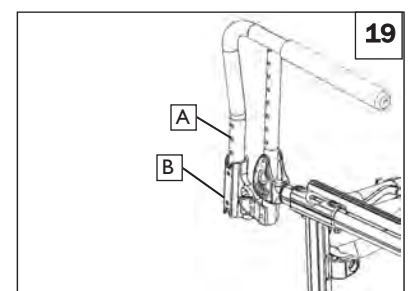
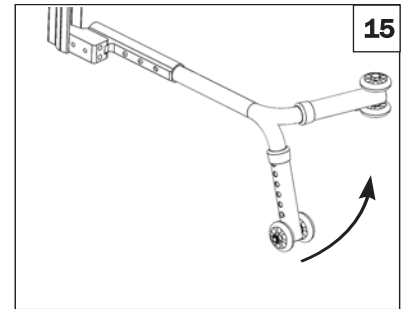
- a. The armrest height is determined by the adjustment bolt (A) position.
- b. Slide the armrest into the receiver tube (B) on rear of frame until the adjustment bolt is securely seated (locked) in the receiver tube slot.

2. Swinging Away

- a. Lift armrest out of the locked position and rotate to the side

3. Removing Armrest

- a. Pull armrest straight out of the receiver.



K. FOOTRESTS, LEGRESTS, & FOOTPLATES (Swing away frame) 20 21

Make sure that your Sunrise dealer has correctly adjusted your footrests and/or legrests with the advice of a healthcare professional. The original setup should not be changed without first checking with that advisor. The footrest position is key to keeping your body in the proper alignment, and providing a stable support for your legs and torso. Legrests and footrests should be swung out of the way, or removed for transfers.

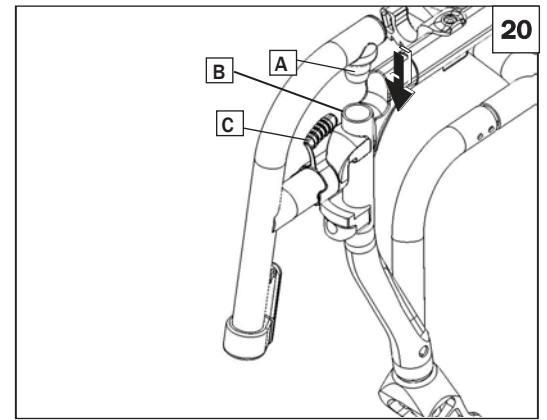
Swing-in-Swing-out Hangers and Footrests (70°, 80°)

1. Basic Footrest Installation

- a. Place hanger pivot saddle (A) into the receiver (B) on front frame tube,
- b. Rotate the footrest until it locks into place.

2. Removal

- a. To remove footrest, release latch (C) by pushing lever left or right.
- b. Rotate footrest inward or outward and lift off.



Elevating Legrests

1. To Raise

- a. Pull the footrest upwards and adjust to the desired height. When doing this, the footrest clicks audibly into place.

2. To Lower

- a. Briefly take the load off the footrest by lifting the lower leg and then push the release lever (D).
- b. As soon as you let go of the lever, the footrest will click back into place.

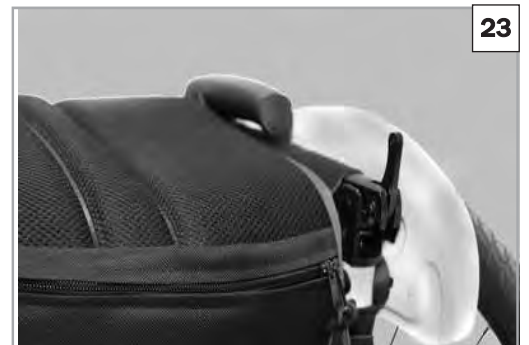
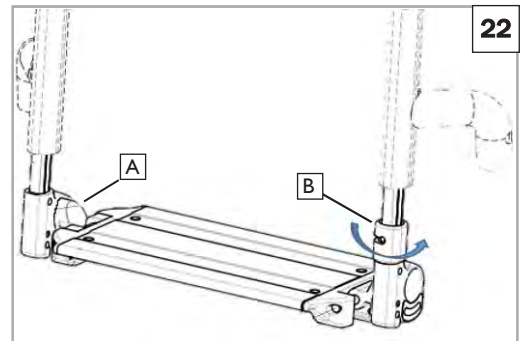
⚠ WARNING

- There is a risk of trapping fingers when moving the height of the footrest up or down.
- Do not put your fingers in the adjusting mechanism between the frame and the moving parts of the footrest.
- The footrests are not designed to be used to lift or carry the wheelchairs with an occupant.
- When getting into or out of the chair, never stand on the foot boards
- There is a risk of trapping fingers when flipping the footrest up or down.

L. SWING AWAY FOOTPLATES 22

1. To Swing Away

- a. Unlatch footplate at point (A).
- b. Lift up on the footplate, the collar (B) will slide up slightly allowing the footplate to swing forward.



M. BACKRESTS AND BACK UPHOLSTERY 23 24

1. Folding Backrest

To make it easier to transport the wheelchair, the top half of the backrest can be folded down. To do this, lift both levers (1), or pull up on the lanyard, and fold the backrest down. When unfolding the backrest, make sure that both sides are firmly locked.

⚠ WARNING

Risk of injury: do not get your fingers caught in the folding back mechanism.

2. Backrest Upholstery

Check monthly for excessive stretching of the upholstery, or loose attaching hardware. If you determine the upholstery is no longer tight, contact your service representative for a replacement.

N. TENSION ADJUSTABLE UPHOLSTERY

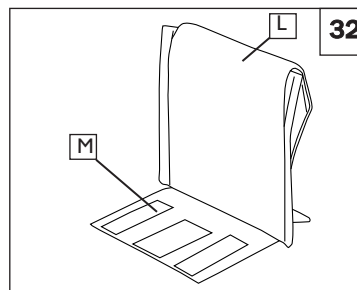
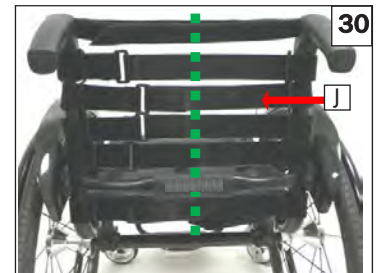
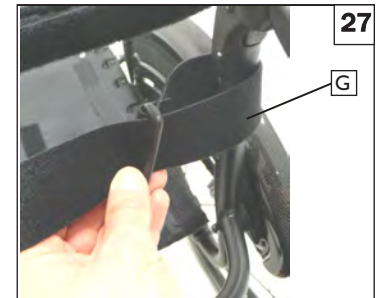
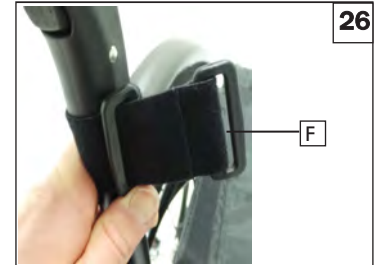
25 26 27 28 29 30 31 32

Installing standard Tension Adjustable Backrest Upholstery

1. Install top strap first, cut to length.
2. Mount short side of backrest straps to back post (F).
3. Mount long side of backrest straps on the opposite side (G).
4. Mount the crocodile fixator (H). Fixator should be placed in the middle of the strap (I & J), trim as needed.
5. Install straps required for specified height. Strap spacing should not exceed 1-1/2" (38mm). Straps should be installed when chair is unfolded. **DO NOT** over tighten straps, as this will cause undue strain upon the chair frame. The difference in width between the top and bottom of the backrest should not exceed +/- 0.5" (+/- 13mm).
6. Mount backrest pad (K).
7. Install backrest cover at desired level and fold over rear of Velcro® strapping system (L). The Quickie patch should be upright on the rear of the chair.
8. Finish installation by placing vanity flap (center panel) down onto Velcro® on the seat sling to secure attachment (M).

⚠ WARNING

Any changes made to the straps will affect the center of gravity. It is best to have the attendant stationed behind the wheelchair to prevent the wheelchair from tipping backwards while the user becomes accustomed to the adjustment.



O. SEATING AND SEAT SLING UPHOLSTERY 33**1. Adjustment**

- a. The seat sling can be adjusted for tension by using several straps. To adjust the tension of the seat sling all straps have to be open. By pulling the straps the tension of the seat sling will be tightened.

2. Seat sling Upholstery

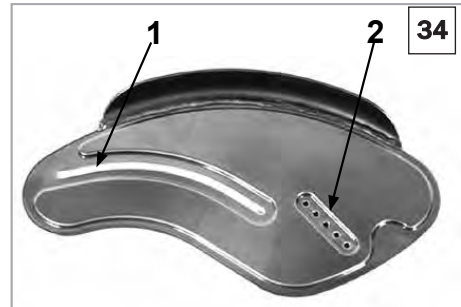
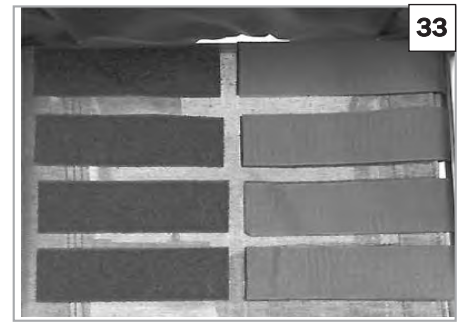
- a. Check monthly for excessive stretching of the upholstery, or loose attaching hardware. If you determine the upholstery can no longer be adjusted tight, contact your service representative for a replacement.

3. Cushion Installation

- a. Place cushion on the seat sling with hook material side down. The beveled edge of the cushion should be facing toward the front of your chair.
- b. Press firmly into place.

⚠ WARNING

Loose or worn seat slings may sag to a point that they contact chair components positioned under the seating surface. Using the chair in this condition may lead to pressure related injuries.

**P. SIDEGUARD** 34**1. Adjusting the Side Guard**

- a. You can set the position in relation to the rear wheel by moving the side-guard.
- b. To do this, remove the screws (1 and 2). After setting to the desired position, retighten the screws

⚠ WARNING

- Side guards are not to be used for lifting or carrying the wheelchair.
- Side guards are not intended for use as a transfer device.

**Q. FOLDING AND UNFOLDING (Swing away frame)** 35 36 37 38**1. Folding**

- a. Remove the seat cushion from the wheelchair and flip up the footplate or remove the hangers.
- b. Take hold of the sling or the seat tubes (Fig. 35) in the middle, from the back, and pull it upwards until the folding bracket (Fig. 36) clicks into place.
- c. To move the wheelchair, the folded wheelchair should be lifted by holding the front part of the cross-brace and the push handles.

2. Unfolding

- a. Push the release lever of the folding bracket (Fig. 37) downwards and push both frame halves apart.
- b. Then press on the seat tube (Fig. 38).
- c. Snap the seat tubing into position in the seat saddle. This can be facilitated by slightly tipping your wheelchair to the side, as this means that the weight is taken off one of the rear wheels.

3. Cushion Installation

- a. Place cushion on the seat sling with hook material side down. The beveled edge of the cushion should be facing toward the front of your chair.
- b. Press firmly into place.

⚠ WARNING

Be careful not to get your fingers caught in the cross-tube assembly during folding and unfolding.

R. AUTO-FOLDING STABILIZER BAR 39

This bar is used to stabilize the backrest.

1. Folding
 - a. Push down on center link to unlock the stabilizer bar.
 - b. Fold the chair per Section Q. 1.
2. Unfolding
 - a. Unfold the chair per Section Q. 2.
 - b. Pull up on the nylon lanyard until the stabilizer bar locks.

**S. PUSH HANDLES** 40 41**1. Height Adjustable**

These handles are secured with pins to prevent them from sliding out unintentionally.

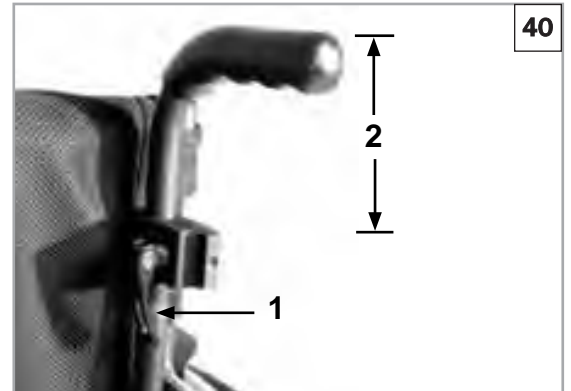
- a. By releasing the tension lever (1) the height of the push handles (2) can be set individually.
- b. Collapse the lever over-center to clamp the armrest into place.
- c. The nut on the tension lever determines how tightly the push handles are clamped into place. If the nut is loose after adjusting the tension lever, the push handle will also be too loose.
- d. Turn the push handle from side to side before use to make sure that it is clamped into place securely.

⚠ WARNING

- After adjusting handle height, always clamp the tension lever (1) securely into place. If the lever is not secure, injuries could result when ascending stairs.
- If the height-adjustable push handles are not fitted properly, there is a risk that these will develop "play" or that they move out of position. Please make sure that the relevant screws are tightened correctly.

2. Folding Push Handle

If the folding push handles are not required, they can be flipped downwards by pushing the button (1). When they are required again, flip the push handles up, until they click into place.

**T. STORAGE TIPS**

1. Store your chair in a clean, dry area. If you fail to do so, parts may rust or corrode.
2. Before using your chair, make sure it is in proper working order. Inspect and service all items on the "Maintenance Chart".
3. If stored for more than three months, have your chair inspected by an authorized dealer before use.

U. INSPECT

After the wheelchair is assembled and adjusted, it should roll smoothly and easily. All accessories should also perform smoothly. If you have any problems, follow these procedures:

1. Review the set-up and check-out sections and operating guide to make sure chair was properly prepared.
2. Review troubleshooting guide.
3. If your problem persists, contact your authorized dealer. If you still have a problem after contacting your authorized dealer, contact Sunrise customer service. See the introduction page for details on how to contact your authorized dealer or Sunrise customer service.

⚠ WARNING

The owner of this chair is responsible for making sure that it has been setup and adjusted by a trained service professional under the advice of a healthcare advisor. Service and/or adjustments should only be done with the advice of a healthcare professional. Always use parts and/or accessories that have been recommended and approved by Sunrise Medical when servicing this chair.

A. DEALER SERVICE INTRODUCTION

1. At least once per year, this chair should have a complete inspection, safety check, and regular service made by an authorized dealer.
2. Torque settings- A torque setting is the optimum tightening which should be made on a particular fastener. It is important to use proper torque settings where specified.
3. If you have discovered a worn, bent, or damaged part, repair or replace them with recommended parts **before returning this chair to service.**
4. All major maintenance and repair work should be done by the authorized dealer.

B. CRITICAL MAINTENANCE TIPS

1. Torque Settings: A torque setting is the optimum tightening which should be made on a particular fastener. It is important to use proper torque settings where specified. When not specified, torque settings should be: M5 fasteners = 44 in-lbs (5 Nm), M6 fasteners = 62 in-lbs (7 Nm), M8 fasteners = 88 in-lbs (10 Nm). For all others torque setting should be 60 in-lbs (6.8 Nm). All joints secured with threaded fasteners will relax over time resulting in an actual torque that is lower than the initial torque setting. This is especially applicable for joints with elastic components.

2. Dealer Service and Adjustment Reference Materials: Go to www.sunrisemedical.com for parts manuals, instruction sheets, and instructional videos that will aid in the repair of the Quickie XENON2 wheelchair.

C. CLEANING

1. Paint Finish
 - a. Clean the painted surfaces with mild soap or detergent.
 - b. Protect the paint with a coat of non-abrasive auto wax.
2. Axles and Moving Parts
 - a. Clean around axles and moving parts with a slightly damp (not wet) cloth.
 - b. Wipe off or blow away any fluff, dust or dirt on axles or moving parts.
 - c. DO NOT USE 3 in 1 oil, or WD-40 ® for lubrication. Only use Teflon based Lubricant when working on this wheelchair.

D. CENTER OF GRAVITY

The most important adjustment on the Quickie wheelchair is the position of the rear axle. The center of gravity, wheel camber and wheelbase are all determined by the axle adjustment.

⚠ WARNING

The more you move the rear wheels forward, the more likely the chair will tip over backwards. Always make adjustments in small increments, and check the stability of the chair with a spotter to prevent a tip-over. We recommend that anti-tip tubes are always used in conjunction with this type of adjustment.

Moving the center of gravity to the front will lighten the force required to turn the chair. The further back the axle, the more stable the chair becomes.

To carry out COG adjustment, there are basically two different options. Adjustment can be carried out directly on the axle bracket (Standard adapter only) by shifting the crescent-shaped spacers from one side to the other. To make an adjustment in larger steps, you must change the position of the axle stem on the frame.

1. Changing the Position of the Axle Stem 42 43
 - a. Using the quick-release axles, take the wheels out of the axle sleeve.
 - b. Undo both screws (1) and remove these completely. Fit the axle stem in the desired position on the frame, put the screws back into the frame and axle stem and then re-tighten the screws. When moving the axle stem, also move the seat saddle on the frame, (change the axle stem and the seat saddle). Make sure that the left and right sides are fitted in the same positions. Re-tighten the Allen screws according to step three below.
2. COG Setting on the Standard Axle Bracket 44 45
 - a. Adjustment can be carried out directly on the axle bracket (standard axle bracket only) by shifting the crescent-shaped spacers from one side to the other. Three positions are possible.
 - b. Using the quick-release axles, remove the wheels.
 - c. Release the Allen screws (1) with an Allen key. Take the lid (2) of the axle bracket off and arrange the crescent-shaped spacers (3) according to your desired COG. Put the lid back on.
3. Re-tighten the Allen screws (1) using a two-stage process
 - a. Tighten both Allen screws to a torque of 44 in-lbs (5 Nm).
 - b. Tighten both Allen screws for a second time to a torque of 71 in-lbs (8 Nm).

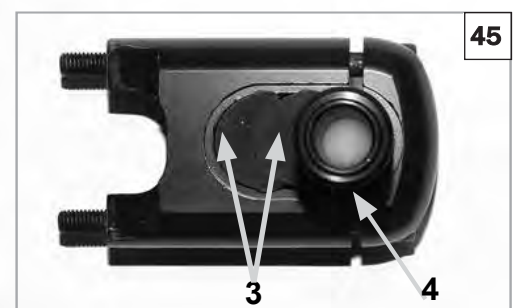
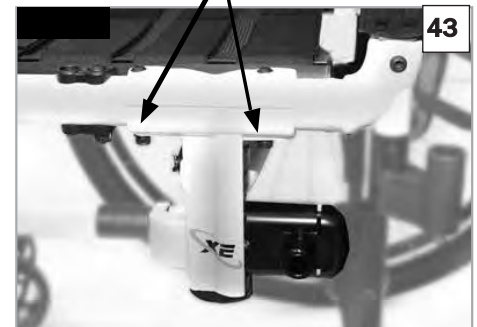
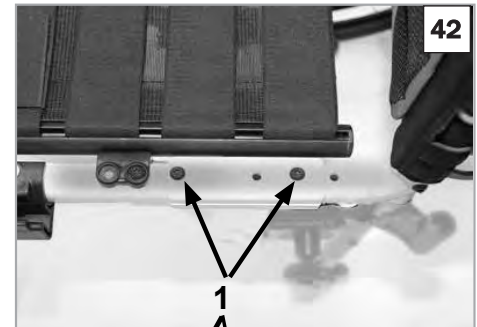
⚠ WARNING

- Loctite™ 243 thread locker **MUST** be used for re-mounting the Allen screws (1) on the axle-adapter.



TOOLS YOU WILL NEED

1. Imperial Hex key set
2. Metric Hex key set
3. Imperial Open-end Wrench set
4. Metric Open-end Wrench set
5. Torque wrench
6. Imperial Hex bit Socket set
7. Metric Hex bit Socket set
8. Phillips and Flat screwdrivers



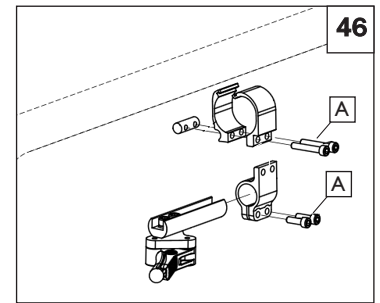
E. WHEEL LOCKS

Wheel locks are installed at the factory unless you have requested otherwise. Braking power can be affected by incorrect fitting and adjustment of the wheel locks, as well as tire pressure which is too low.

Use a torque setting of 62 in-lbs (7 Nm) when setting up wheel locks.

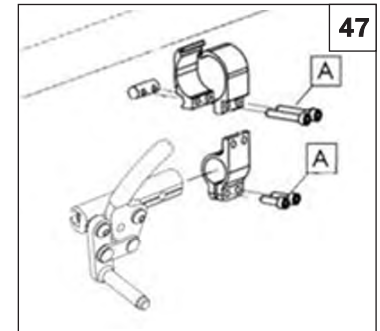
1. Ergo Scissor Wheel Locks 46

- a. Using a 4mm Allen wrench, turn one of the screws (A) in the clamp counterclockwise one-quarter turn.
- b. Repeat the same process with the remaining three screws (A).
- c. Alternately loosen the screws (two turns each) until all screws are loose.
- d. Slide clamp toward the rear wheel until the wheel lock is embedded into the tire to prevent wheel movement, when in the locked position.
- e. Adjust angle position.
- f. Tighten screws to 62 in-lbs. (7 Nm).



2. High-mount Push-to-Lock or Pull-to-Lock Wheel Locks 47

- a. Using a 4mm Allen wrench, turn one of the screws (A) in the clamp counterclockwise one-quarter turn.
- b. Repeat the same process with the remaining three screws (A).
- c. Alternately loosen the screws (two turns each) until all screws are loose.
- d. Slide clamp toward the rear wheel until the wheel lock is embedded into the tire to prevent wheel movement, when in the locked position.
- e. Adjust angle position.
- f. Tighten screws to 62 in-lbs. (7 Nm).

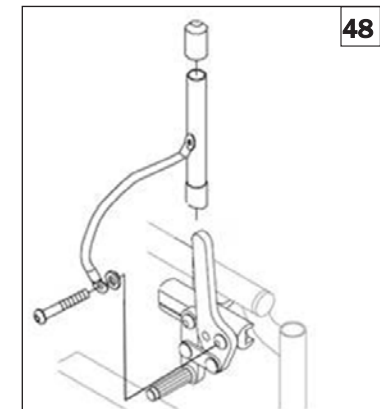


3. Wheel Lock Lever Extension 48

The longer lever helps to minimize the effort needed to set the wheel locks. The wheel lock lever extension is screwed to the wheel locks. By raising this, it can be flipped forward.

WARNING

Mounting the wheel lock too close toward the wheel will result in a higher effort to operate. This might cause the wheel lock extension lever to break. Leaning onto the wheel lock lever extension while transferring will cause the lever to break.



4. Compact Wheel Lock 49

Compact wheel locks are underneath the seat sling and are operated by pulling the wheel locks towards the rear, in the direction of the tire. For the wheel locks to operate correctly, they must be pulled fully against the stops.

5. Drum Brakes 50

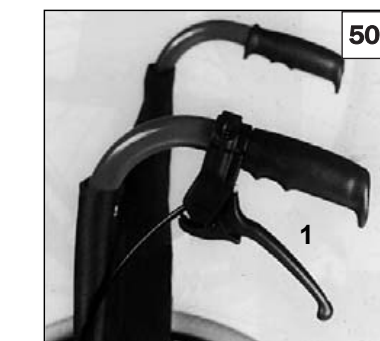
Drum brakes permit safe and convenient braking for an attendant. Squeeze the lever (1) to help assist with braking. Drum brakes are not influenced by air pressure inside the tires.

WARNING

- Risk of injury: Do not get your fingers caught in the brake mechanism.
- Drum brakes must only be adjusted by authorized dealers.
- Always operate the two drum brakes simultaneously to guarantee the control of the driving direction!
- Drum brakes can only be used as a dynamic brake to stop the wheelchair while driving.
- Always engage the wheel locks to secure the wheelchair during a short or long stop, or for transfer.

WARNING

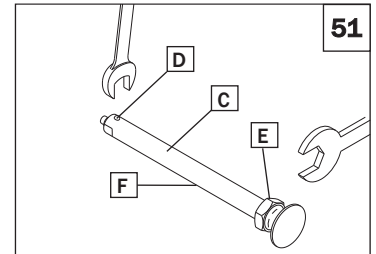
After each adjustment of the rear wheels, check the wheel lock gap and re-adjust if necessary.



F. REAR WHEEL AXLE NUT ADJUSTMENT 51

Tight axle sleeves should be maintained for proper performance of the wheelchair.

- To adjust the axle (C) you will need a 3/4" wrench to turn the outside axle nuts (E).
- You will also need a 1/2" wrench to lodge the ball bearings (D), on the opposite end of the axle, and prevent the axle from turning.
- Turn the outside axle nut (F) clockwise to tighten.
- There should only be zero to ten thousandths of an inch (.010" (.25mm)) of play.



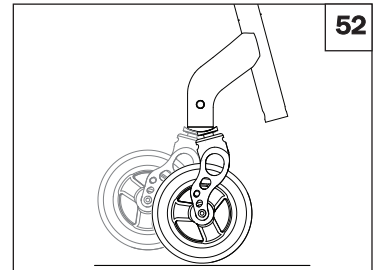
G. CASTER ADJUSTMENT

NOTE— Setting the wheelchair on a very flat table or a workbench makes this setting more accurate.

1. Adjusting Caster Angle 52 53

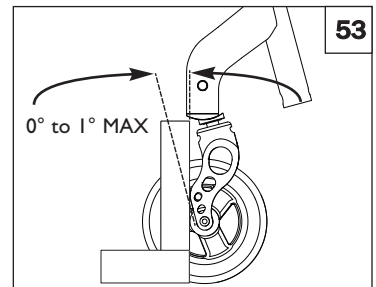
Checking for Caster Squareness:

Your Quickie wheelchair leaves the factory with the casters adjusted square. Any time you change your wheelchair rear axle height, rear tire size, caster fork size, front seat height, caster spacers, center of gravity position, or camber tube, you should check that the casters are still square. A caster that is not square will result in the caster lifting off the floor as it rotates around the stem bolt and may also lift the front of the wheelchair up and down. Check for squareness by placing your wheelchair on a flat, horizontal surface. Rotate both forks so that the casters are towards the rear of the wheelchair. Place a square or pocket level against the flat surface on the rear of the fork and note whether this surface is vertical (square). If this surface is more than 1 degree away from vertical, your casters require re-squaring.

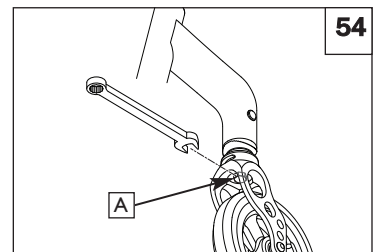


2. Re-squaring Your Casters 54 55

Locate the bolt (A) inside the right caster tube and loosen (Do not remove) using a 10 mm open end wrench. Loosen this bolt enough to allow the teeth on the upper and lower splines (B) to clear one another. The caster fork should pivot freely. Place the wheelchair on the floor so that the two rear wheels and left caster contact the floor. Place some weight in the seat towards the rear to help stabilize the chair. Place a square or pocket level against the flat surface of the fork and pivot the fork until it is vertical (square). With the fork vertical, engage the teeth of the two splines to the closest mating position. Make certain that the teeth are properly engaged and not crossed. Shine a bright light behind the mating spline teeth and check for proper teeth engagement. Tighten the screw (A) to secure the spline mating position. The screw should be tightened to 90 in-lbs. (10 Nm) to ensure that it does not loosen during use.



Record the teeth engagement position of the splines (B) on the right fork, and adjust the left fork in a similar fashion to the same position. Reassemble both casters, and re-check that they are square.



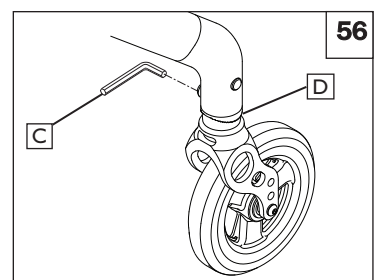
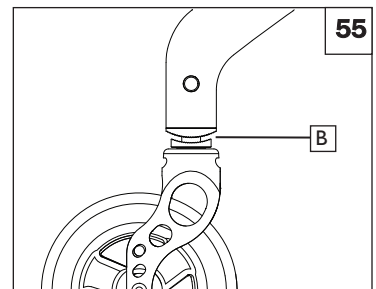
3. 3-D Perpendicular Alignment 56

The allen bolt adjustment (C) provides another dimension of adjustability in addition to the spline system. The bolt may be loosened to relieve tension in the stem assembly. The caster angle may then be fine-tuned and the bolt retightened.

4. Correcting a Pull to the Right or Left 54 56

Determine which direction the chair is pulling (right or left). Make the following adjustments to the caster on that side of the chair:

- Loosen the screw (A) inside the caster tube using a 10mm open-end wrench.
- Loosen the screw on the upper spline (C).
- Rotate the upper spline (D) to turn the caster fork toward the forward driving direction. Turn the ring clockwise, and the fork will swing outwards. Turn the ring counterclockwise, and the fork will swing inwards.
- When the caster fork is correctly rotated forward, re-tighten the screws.
- After making the desired adjustment, recheck the squareness of the casters.
- Re-torque bolt (A) to 90 in-lbs. (10 Nm).



H. ARMREST RECEIVER 57

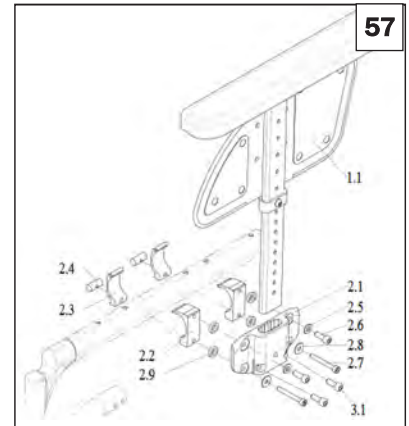
ATTACHMENT Mounting

1. Thread bolts (2.6) through washer (2.5), receiver (2.1), spacer (2.9), and clamp (2.2). Tighten bolts securely.
2. Locate armrest receiver in desired frame rail position.
3. Thread Bolts (2.7) through washer (2.8), receiver (2.1), spacer (2.9), clamp (2.2), clamp (2.3), and nut (2.4). Tighten bolts securely.

Adjustment

To tighten or loosen the fit of the armrest in the receiver:

1. Tighten/loosen two screws (3.1) until desired adjustment is achieved.



I. SWING-IN/SWING-OUT HANGERS AND FOOTRESTS

1. Height Adjustment: 58

NOTE- It is recommended that you maintain a minimum of 2" (51mm) between the lowest point on the footrest and the floor.

- a. Loosen set screw (E) using a 4 mm hex key.
- b. Slide footrest extension up or down inside frame tube to desired height.
- c. Tighten set screw. Use a torque setting of 44 in-lbs (5 Nm).
Note: The elastic components in this joint will relax resulting in a lower torque setting than initially set.

2. Angle Adjustment: Angle Adjustable Footplates only

1. Composite Angle Adjustable Footplates 59

- a. Remove bolt (F)
- b. Pull footplate section (G) away from extension.
- c. Reposition footplate back onto extension in new angular position. Use premarked extension coupling (H) as guide.

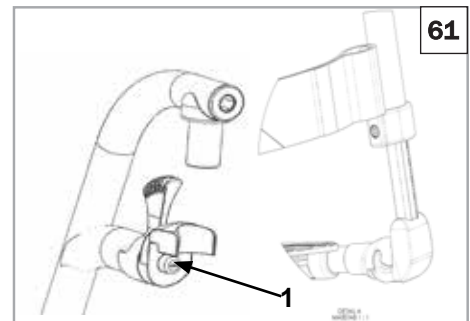
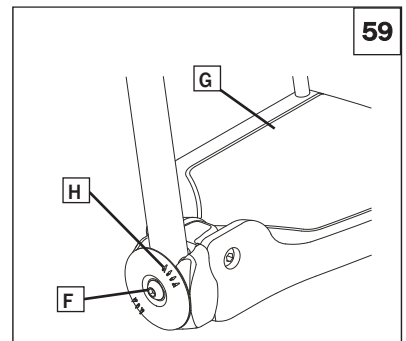
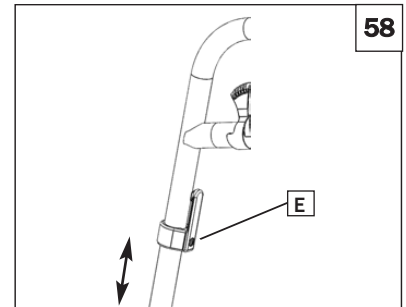
3. Hanger Play Adjustment 60 61

In case of play the hanger can be adjusted in the field. The hanger pin (1) is tapered and the play can be reduced when the pin is unscrewed slightly.

- a. Take the hanger off the chair in using the release mechanism.
- b. Use a screw driver and turn the screw (1) in the front carefully to the left. Then test the hanger on the chair. If the hanger mechanism is not working/catching anymore, please undo the task slightly.

⚠ WARNING

Do not stand on the footplate during transfer. The chair is likely to tip to the front when standing on the footplate. Always place your feet securely on the ground for transferring into or out of the chair.



J. PLATFORM FOOTPLATES 62 63 64

The foot board can also be tilted to six different angles relative to a level surface.

1. Angle Adjustment

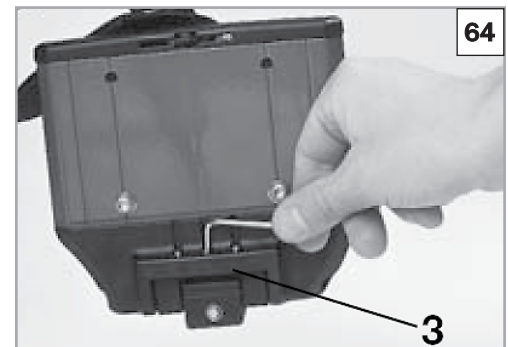
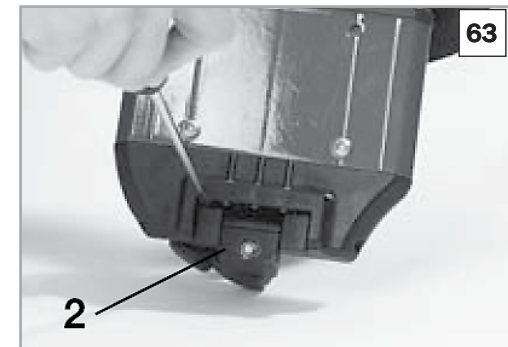
NOTE- It is recommended that you maintain a minimum of 2" (51mm) between the lowest point on the footrest and the ground.

- a. Tighten screw (1) firmly on the outer side.
- b. By removing the clips (2) the footplate can be adjusted to three different positions toward both the front and rear.
- c. Loosen the adjustment screw (3) to change the horizontal position of the footplate. To do this, the footplate must be flipped up.
- d. When finished, ensure that all screws have been tightened to 44 in-lbs (5 Nm).
Note: It is normal for the elastic components in this joint to relax, resulting in a lower torque setting than initially set.

2. High Mount Platform Footplate Adjustment 65

NOTE- It is recommended that you maintain a minimum of 2" (51mm) between the lowest point on the footrest and the ground.

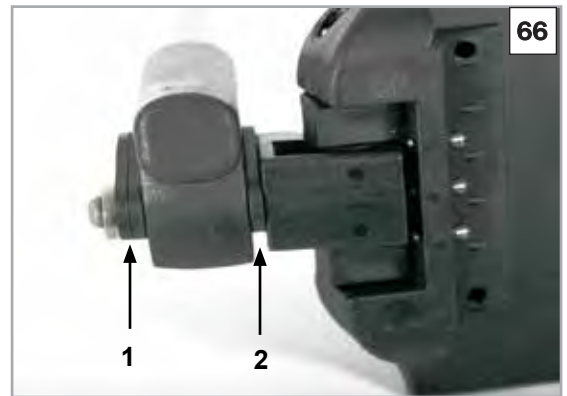
- a. Loosen clamping bolts (A) using hex key.
- b. Slide footrest extension up or down inside frame tube to desired height.
- c. Tighten clamping bolts.



PLATFORM FOOTPLATES (continued) 66

3. Width Adjustment

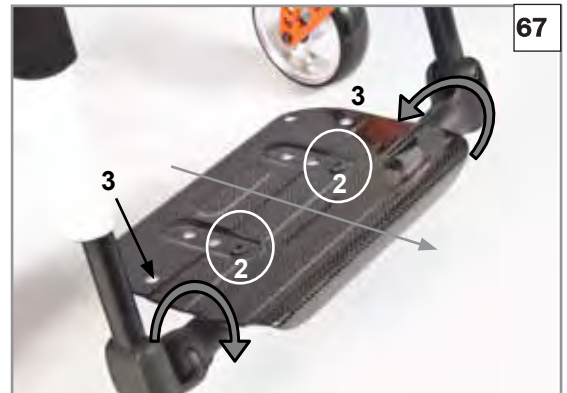
- a. Undo the screw (1), set the desired width, by positioning 1, 2, or 3 spacers (2) from outer to the inner side and then refit the screws, (Fig. 62 & 66).
- b. Ensure that all screws have been tightened to 44 in-lbs (5 Nm).
 Note: It is normal for the elastic components in this joint to relax, resulting in a lower torque setting then initially set.



K. LIGHTWEIGHT FOOTREST 67 68

1. Angle Adjustment

- a. Loosen the screws (2) (Fig. 67)
- b. Adjust to desired angle and re-tighten screws.
- c. Side protection panels can be fitted to the footrest using the mounting holes (3). These prevent the feet from slipping off accidentally.



2. Width Adjustment

- a. Loosen the screw (2), (Fig. 67).
- b. Slide the tubes in or out the tubes inside of the clamp, (Fig. 68).
- c. Ensure clamp has 1" (25.4mm) of clamping length on each tube.



L. Z-FINITY™ FOOTREST SYSTEM 69 70 71

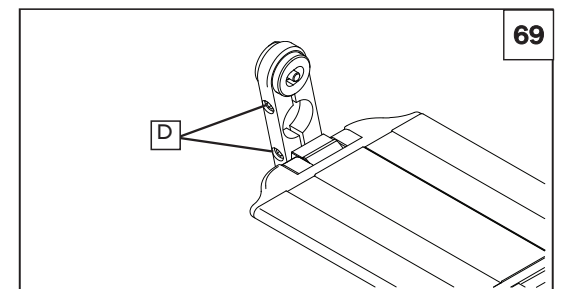
CAUTION–The Z-FINITY™ Footrest system is rated to 165lbs (75kg)

The footrest position is key to keeping the body in the proper alignment, and providing a stable support for your legs and torso. Make sure that your Sunrise dealer has correctly adjusted your footrests and/or legrests with the advice of a healthcare professional. The original setup should not be changed without first checking with that advisor. Legrests and footrests should be swung out of the way, or removed for transfers.

NOTE – Footplate must have at least 2" (51mm) of clearance between the footplate and the ground to prevent hitting obstacles and risking a fall or tip-over.

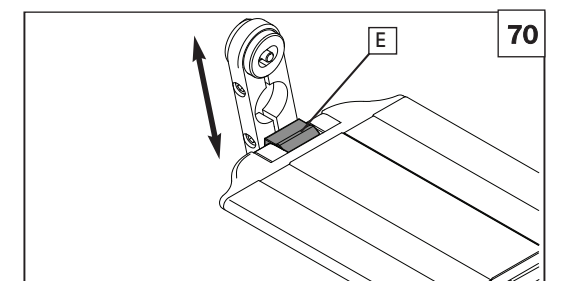
1. Footrest/Footplate positioning using the rotational clamp

- a. Loosen the two rotational/Angle clamp screws (D)
- b. Rotate the footrest/ footplate until the desired position and angle is achieved.
- c. Tighten the Clamp hardware to proper torque (DO NOT EXCEED a 120 in-lb (13.3Nm) Max torque).



2. Footrest positioning using footplate spacers

- a. Remove footplate spacers (E)
- b. Slide footplate to desired depth position.
- c. Replace footplate spacers



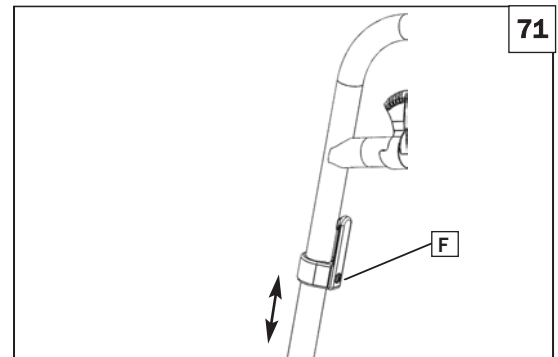
3. Height range adjustment (Direct Mount Footrest)

- a. Adjust the footplate mounting position by removing the button head screw from the adjustment hole. and moving the assembly to the desired position.
- b. Tighten hardware to proper torque (120 in-lb (13.5 Nm) Max).

Z-FINITY™ FOOTREST SYSTEM (Continued)**4. Height range adjustment (Extension Mount Footrest)**

- a. Loosen set screw (F).
- b. Slide footrest extension tube up or down inside frame tube to desired height.
- c. Tighten set screw to proper torque 44 in-lbs (5 Nm).

Note: It is normal for the elastic components in this joint to relax, resulting in a lower torque setting than initially set.

**M. BACKRESTS**

72 73

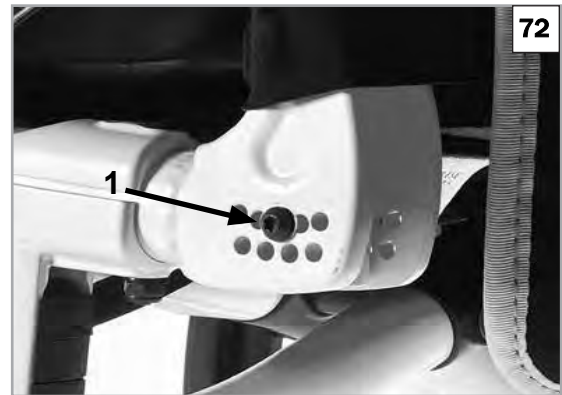
1. BackAngle Adjustment

- a. Remove the bolt (1).
- b. Move the backrest to the desired angle then reinsert the bolt.
- c. Tighten screw to proper torque 44 in-lbs (5 Nm).
- d. Ensure that both sides are set to the same angle.

⚠ WARNING

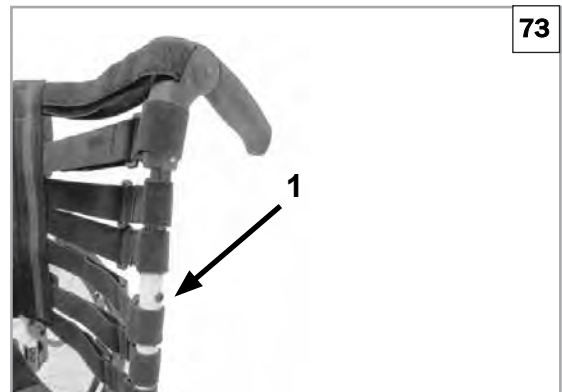
Please take into account the altered center of gravity when setting the angle of the backrest. The more you change the angle, the more likely the chair will tip over backwards. Always make adjustments in small increments, and check the stability of the chair with a spotter to prevent a tip-over. We recommend that anti-tip tubes are always used in conjunction with this type of adjustment.

Moving the center of gravity to the front will lighten the force required to turn the chair. The further back the axle, the more stable the chair becomes.

**2. Height Adjustment**

The backrest may be set to various back heights, in 1" (25.4mm) steps (5 adjustment ranges: 10 - 12", 12 - 14", 14 - 16", 16 - 18", and 18 - 19").

- a. Remove the side pads of the upholstery and if necessary the backrest belt covering the screws.
- b. Remove the screw (1) and set the backrest to the desired height, then tighten the screws again.
- c. Ensure that both sides are set to the same height.

**N. BACKREST TENSION ADJUSTABLE**

74

1. To install the Backrest Tension Adjustable

- a. Tighten the straps appropriately to desired tension level. DO NOT over tighten straps as this will cause undue strain upon the chair frame.
- b. The difference in width between the top and bottom of the backrest should not exceed +/- 0.5" (+/- 13mm).



O. WHEEL ALIGNMENT 75 76

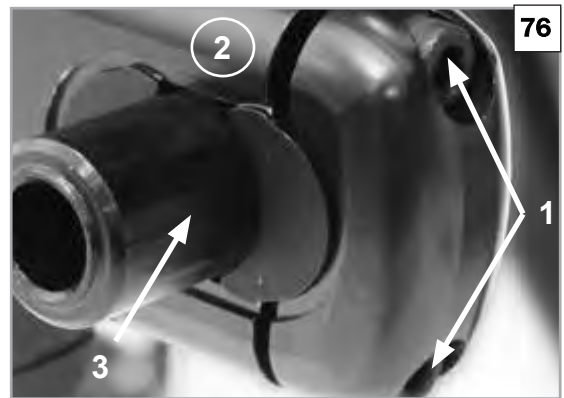
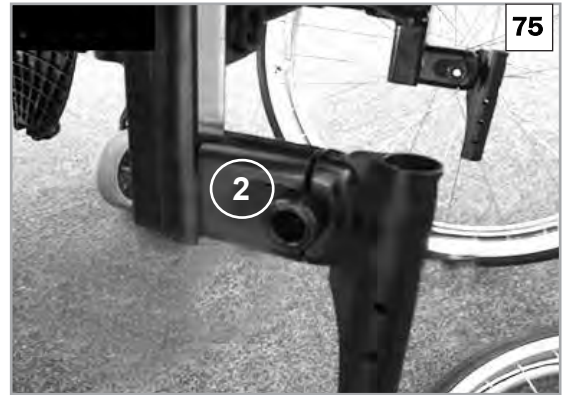
1. Adjusting the Wheel Alignment

NOTE: To achieve the very best movement, the rear wheels must be adjusted to their optimum position, which means correctly adjusting the wheel alignment. To do this, measure the distance between both wheels front and rear to ensure that they are parallel to one another. The difference between both measurements should not exceed 3/16" (5 mm).

- a. To adjust the parallel setting loosen the screws (1) and rotate the axle adapter (3).
- b. Once proper alignment is achieved tighten the screws (1), using a two-stage process:
 1. Tighten both Allen screws to a torque of 44 in-lbs (5 Nm).
 2. Tighten both Allen screws for a second time to a torque of 71 in-lbs (8 Nm).

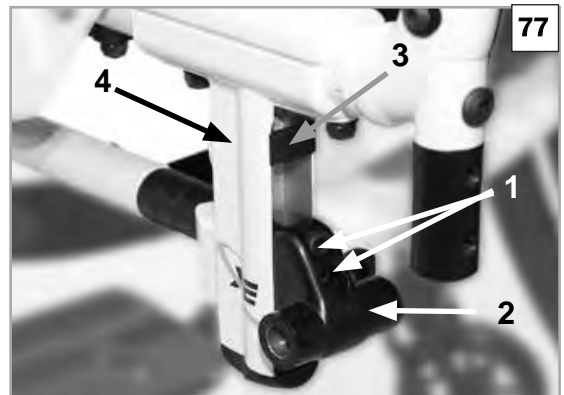
2. Adjusting the Rear Wheelbase Width

- a. To adjust the wheelbase, move the axle adapter (3) in a telescopic manner into the axle bracket (2), or out of the axle bracket.
- b. Loosen the screw, (1), on the rear of the axle bracket.
- c. Move the axle adapter, (3), in or out, until the desired wheelbase is achieved.
- d. Re-tighten the screws (1), using a two-stage process:
 1. Tighten both Allen screws to a torque of 44 in-lbs (5 Nm).
 2. Tighten both Allen screws for a second time to a torque of 71 in-lbs (8 Nm).
- e. Repeat the procedure on the opposite side of the wheelchair setting the gap the same for both sides.



⚠ WARNING

- When adjusting the rear wheelbase, set first one wheel and then the other.
- Wheel alignment needs to be checked and, if necessary, adjusted after the axle adapter was moved or removed (please refer to section, ("wheel alignment").
- Loctite™ 243 thread-locker MUST be used for re-mounting the screws (1) on the axle-adapter.



P. ADJUSTING REAR SEAT HEIGHT 77 78

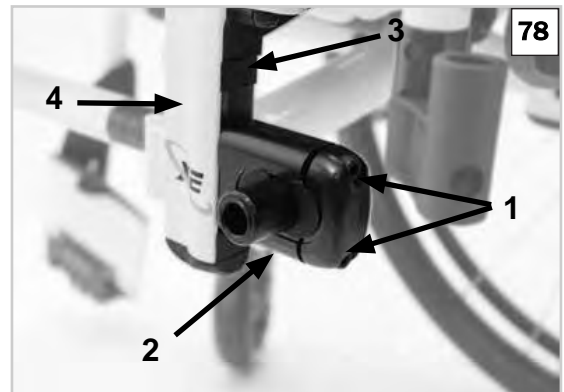
1. Lightweight Adapter

- a. Remove the rubber bungs (3) situated in the groove to the rear of the axle stem.
- b. Remove the screws (1) with an Allen key. Position axle bracket (2) on the axle stem (4) according to the desired seat height.

NOTE: In order to obtain the lowest possible seat height, the axle bracket can be mounted upside down.
- c. Re-tighten the screws (1), using a two-stage process:
 1. Tighten both Allen screws to a torque of 44 in-lbs (5 Nm).
 2. Tighten both Allen screws for a second time to a torque of 71 in-lbs (8 Nm).
- d. Refit the rubber bungs.

2. Standard Adapter

- a. Remove the rubber bungs (3) situated in the groove to the rear of the axle stem.
- b. Remove the screws (1) with an Allen key. Position axle bracket (2) on the axle stem (4) according to the desired seat height.
- c. Re-tighten the screws (1), using a two-stage process:
 1. Tighten both Allen screws to a torque of 44 in-lbs (5 Nm).
 2. Tighten both Allen screws for a second time to a torque of 71 in-lbs (8 Nm).
- d. Refit the rubber bungs.



ADJUSTING REAR SEAT HEIGHT (continued)

- An adjustment to the castor angle may be necessary when adjusting the rear seat height.
- In case the axle adapter was moved or removed whilst adjusting the seat height, wheel alignment and wheelbase width needs to be checked and if necessary, adjusted (please refer to the "Wheel Alignment" section).

 WARNING

- Some of the screws used during manufacturing are coated with thread-locking fluid (blue dot on the thread) and can only be adjusted up to 3 times before they need to be replaced by new thread-locking screws. Alternatively, the screws can be re-mounted using Loctite™ 243 thread-locker.
- Loctite™ 243 thread-locker **MUST** be used for re-mounting the Allen screws (1) on the axle-adapter.

A. FOR LIFETIME –

Frame and cross-brace (if applicable) warranty:

1. Although the anticipated useful service time of this wheelchair is five years, Sunrise guarantees the frame and cross brace against defects in material and workmanship for life or for as long as the original purchaser owns the chair.
2. This warranty does not apply if:
 - a. The chair is subject to abuse.
 - b. The chair is not maintained as recommended in the owner's manual.
3. The chair is transferred to a different person from the original owner.

B. FOR ONE (1) YEAR –

We warrant all components against defects in materials and workmanship for one year from the date of first consumer purchase. An invoice, as proof of purchase, may be required.

Backrest Tension Adjustable (EXO and EXO PRO)

Each Backrest Tension Adjustable is carefully inspected and tested to provide peak performance. Every Backrest Tension Adjustable is guaranteed to be free from defects in materials and workmanship for a period of twelve (12) months from the date of purchase provided normal use. Should a defect in materials or workmanship occur within twelve months from the original date of purchase, Sunrise Medical will, at its option, repair or replace it without charge. This warranty does not apply to puncture, tears or burns. Claims and repairs should be processed through the nearest authorized dealer. Except for express warranties made herein, all other warranties including implied warranties of merchantability and warranties of fitness for particular purpose are excluded. There are not warranties which extend beyond the discretion of the face hereof. Remedies for breach of express warranties herein are limited to repair or replacement of the goods. In no event shall damages for breach of any warranty include any consequential damages or exceed the cost of non-conforming goods sold.

Record your serial number here for future reference:

Serial number is located on the back side of the cross tube, under the sling.

C. LIMITATIONS –

1. We do not warrant:
 - a. Tires and tubes, upholstery, pads and push-handle grips.
 - b. Damage from neglect, accident, misuse, or from improper installation or repair.
 - c. Products modified without Sunrise Medical's express written consent.
 - d. Damage from exceeding the weight limit.
2. This warranty is VOID if the original chair serial number tag is removed or altered.
3. This warranty applies in the USA and Canada only. Check with your dealer to find out if international warranties apply.
4. This warranty is not transferable and only applies to the first consumer purchase of this wheelchair through an authorized Sunrise Medical dealer.

D. WHAT WE WILL DO –

Our sole liability is to repair or replace covered parts. This is the exclusive remedy for consequential damages.

E. WHAT AUTHORIZED DEALER MUST DO –

1. Obtain from Sunrise Medical, while this warranty is in effect, prior approval for return or repair of covered parts. Contact Customer Service for a Returned Material Authorization (RMA) number and information as to where to return the product.

F. NOTICE TO CONSUMER –

1. You must pay the cost of labor to repair, remove or install parts even if they are covered under warranty.
2. If allowed by law, this warranty is in place of any other warranty (written or oral, express or implied, including a warranty of merchantability, or fitness for a particular purpose).
3. This warranty gives you certain legal rights. You may also have other rights that vary from state to state or province to province.

G. ADDITIONAL WARRANTY INFORMATION –

For goods provided by Sunrise Medical Pty Ltd in Australia, our goods come with a guarantee by Sunrise that cannot be excluded under the Australian Consumer Law. You are entitled to a replacement or refund for a major failure and for compensation for any other reasonably foreseeable loss or damage. You are also entitled to have the goods repaired or replaced if the goods fail to be of acceptable quality and the failure does not amount to a major failure. The benefits to you given by this warranty are in addition to your other rights and remedies under a law in relation to the goods to which the warranty relates.

Sunrise Medical • 2842 N. Business Park Ave. • Fresno, CA 93727 • USA
In Canada (800) 263-3390



Customer Service: 800.333.4000
www.SunriseMedical.com

©2018 Sunrise Medical (US) LLC
3.18 245243 Rev. D